

VANNCAMP

INSTALLATION GUIDE



PROMASTER VAN ROOF RACK
- 136" HIGH ROOF

support@vanncamp.com

READING BEFORE USING

INSTALL INFO: 1 HOUR

Certain installation steps may necessitate additional assistance.

IMPORTANT: INSPECTION UPON ARRIVAL

Upon delivery, carefully inspect the product and its packaging to verify completeness and identify any potential damage. Should you discover missing components or damage, please contact us immediately at:

support@vanncamp.com

MANDATORY READING

Before vehicle attachment, ensure all vanncamp products are correctly assembled and securely fastened. Improper attachment poses a significant risk of vehicle accidents, potentially causing serious bodily injury or fatality.

Customers are solely responsible for the assembly and secure installation of vanncamp products, including pre-use verification of mounting points and regular inspection for wear or damage. Employing a professional installer for aftermarket accessories is highly recommended. If you are not mechanically proficient or lack familiarity with installation procedures, professional installation is required. This responsibility is critical for the safety of all involved and must be treated with utmost seriousness

PACKAGE CONTENTS



FRONT DRIVER RAIL
(DQ-01)
QTY-1



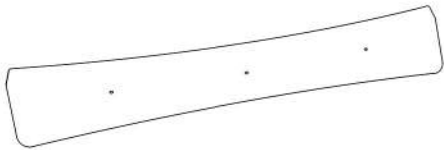
REAR DRIVER RAIL
(DQ-03)
QTY-1



FRONT PASSENGER RAIL
(DQ-02)
QTY-1



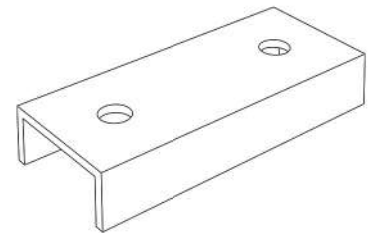
REAR PASSENGER RAIL
(DQ-04)
QTY-1



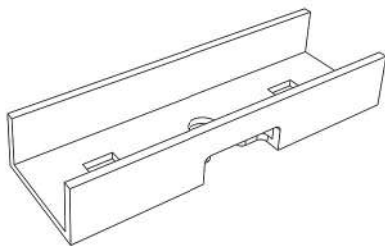
FAIRING
(DQ-06)
QTY-1



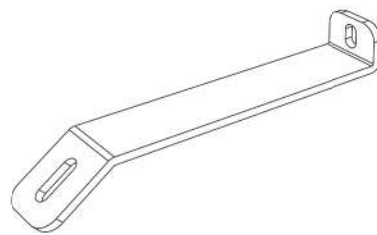
CROSSBAR
QTY-6



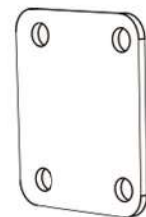
CLAMP BRACKET
(DQ-5(2))
QTY-8



ANCHOR STUD BRACKET
(DQ-5(1))
QTY-8



FAIRING REINFORCEMENT BRACKETS
QTY-3



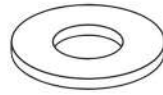
RAIL CONNECTING PLATES
(DQ-07)
QTY-2

HARDWARE PACK



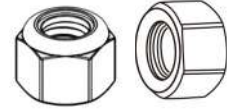
5/16-18*45mm
Carriage Bolt

QTY-12



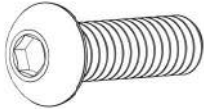
5/16
Flat Washer

QTY-12



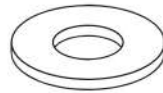
5/16
Lock Nut

QTY-12



1/4-20*20mm
Button Head Socket
Cap Screw

QTY-39



1/4
Flat Washer

QTY-42



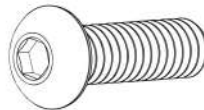
1/4
Lock Nut

QTY-15



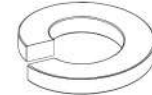
T-nut

QTY-15



1/4-20*16mm
Button Head Socket
Cap Screw

QTY-3

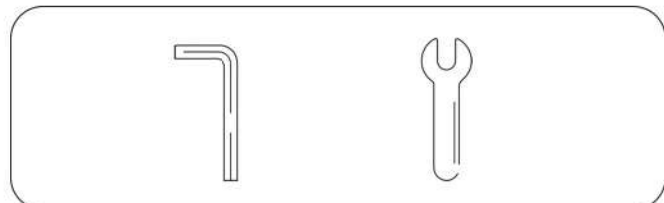


1/4
Spring Lock Washer

QTY-3

TOOLS

- Allen Wrench
- Open-end Wrench



INSTALL STEP

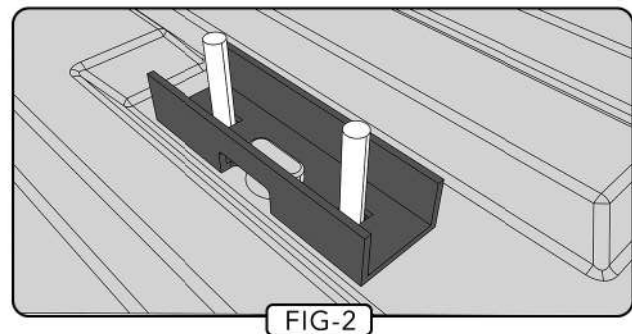
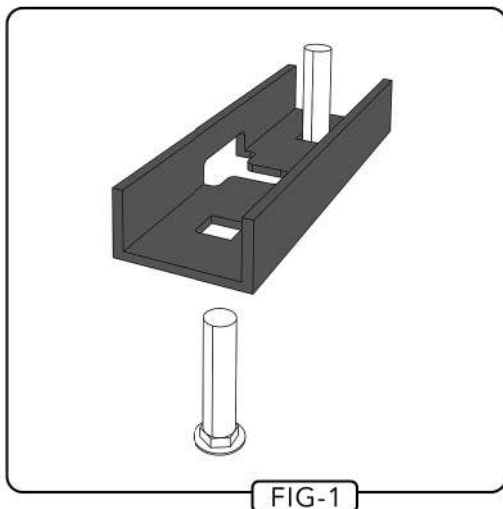
1 Step 1: LANDING PAD INSTALL

1.1 Install Anchor Stud Brackets: Insert two 5/16-18 Carriage Bolts through an Anchor Stud Bracket (FIG 1) and slide the assembly into place along one of the Anchor Studs along the rooftop of the van (FIG 2).

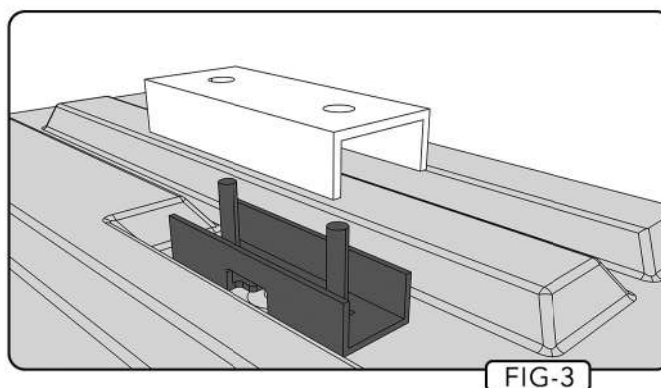
NOTE: Slide the Anchor Stud Bracket under the Anchor Stud on the roof. For best results, slide it from the inside towards the outside of the van.

Required Hardware:

16 x 5/16-18 Carriage Bolts



1.2 Position Clamp Brackets: Once all of the Anchor Stud Brackets have been placed, slide the Clamp Bracket down over the top of them as shown in (FIG 3).



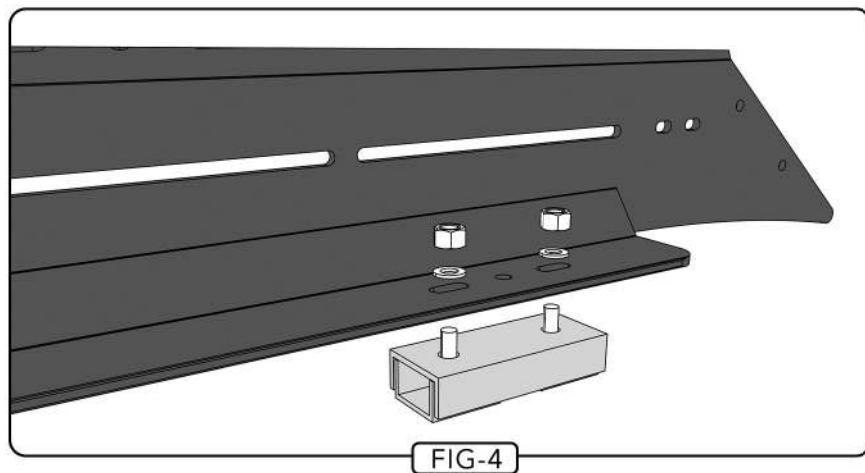
2 SIDE RAIL INSTALL

2.1 Install Side Rails: Place the Side Rails onto the protruding 5/16" Button Head Socket Cap Screws and loosely secure them with 5/16" Washers and Lock Nuts (FIG 4).

Required Hardware:

20 x 5/16 Flat Washers

20 x 5/16 Lock Nuts



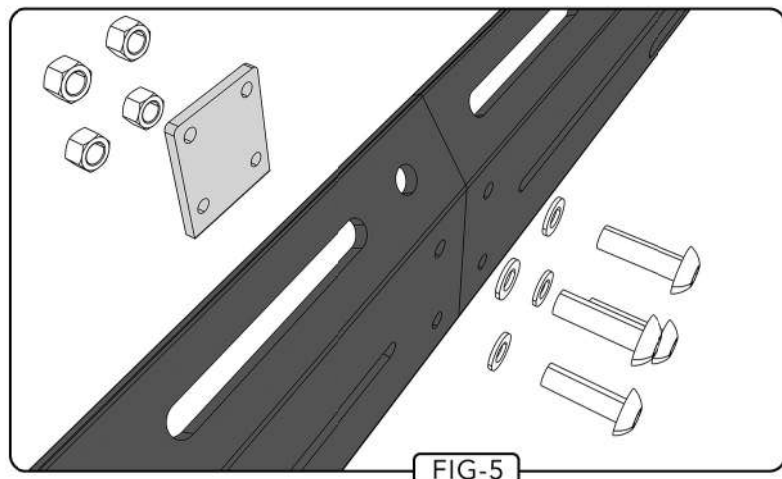
2.2 Secure Rails With Connecting Plates: Utilize Rail Connecting Plates to connect the front, mid and rear rails together using 1/4-20 Button Head Socket Cap Screws, Flat Washers and Lock Nuts (FIG 5).

Required Hardware:

8 x 1/4-20 Button Head Socket Cap Screws

8 x 1/4 Flat Washers

8 x 1/4 Lock Nuts



3 Step 3: CROSSBAR INSTALL

3.1 Layout Crossbar Locations: Position the crossbars in your desired locations, loosely threading in the 1/4-20 Button Head Socket Cap Screws to hold in place (FIG 6-7).

Note: Do not install the front-most crossbar yet. It will be installed together with the fairing in the next step.

Required Hardware:

20 x 1/4-20 Button Head Socket Cap Screws

20 x 1/4 Flat Washers

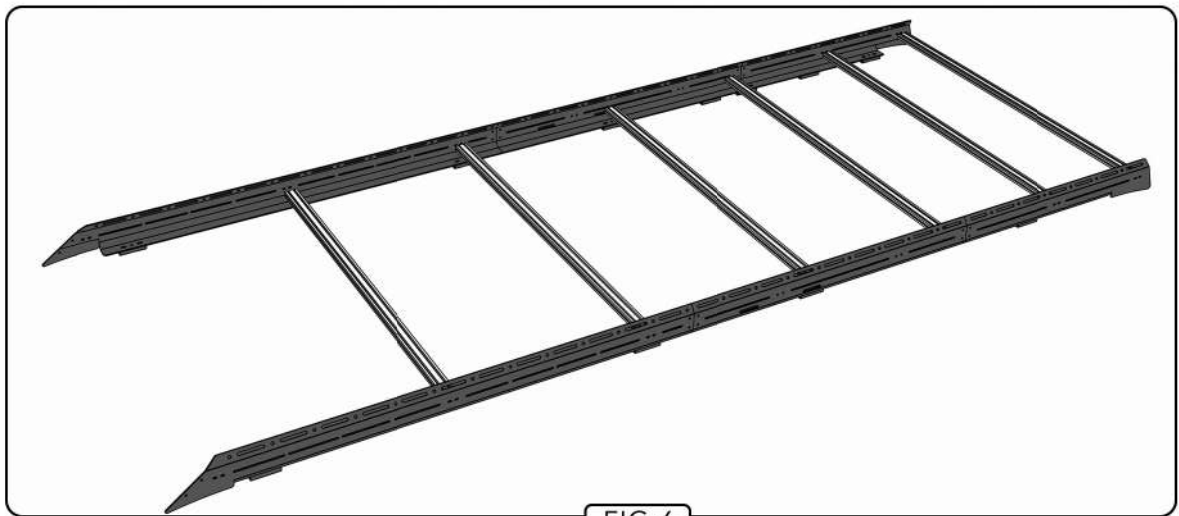


FIG-6

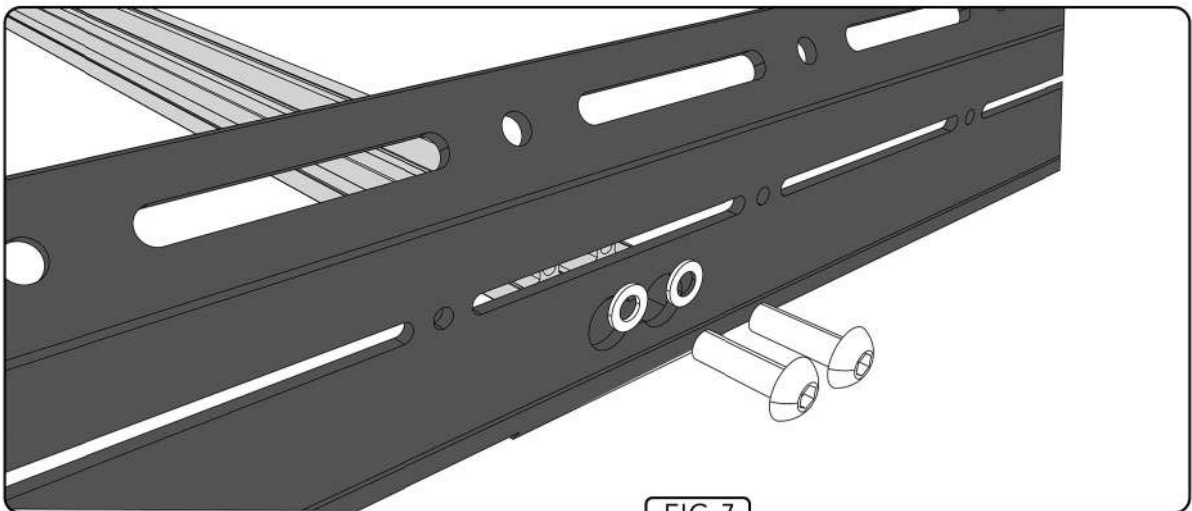


FIG-7

4 Step 4: FAIRING INSTALL

4.1 Assemble the fairing reinforcement brackets: Insert three T-nuts into the front-most crossbar side rails, then secure the three reinforcement brackets to the T-nuts using 1/4-20*16mm button head screws. Slide them into alignment with the pre-drilled holes on the fairing panel

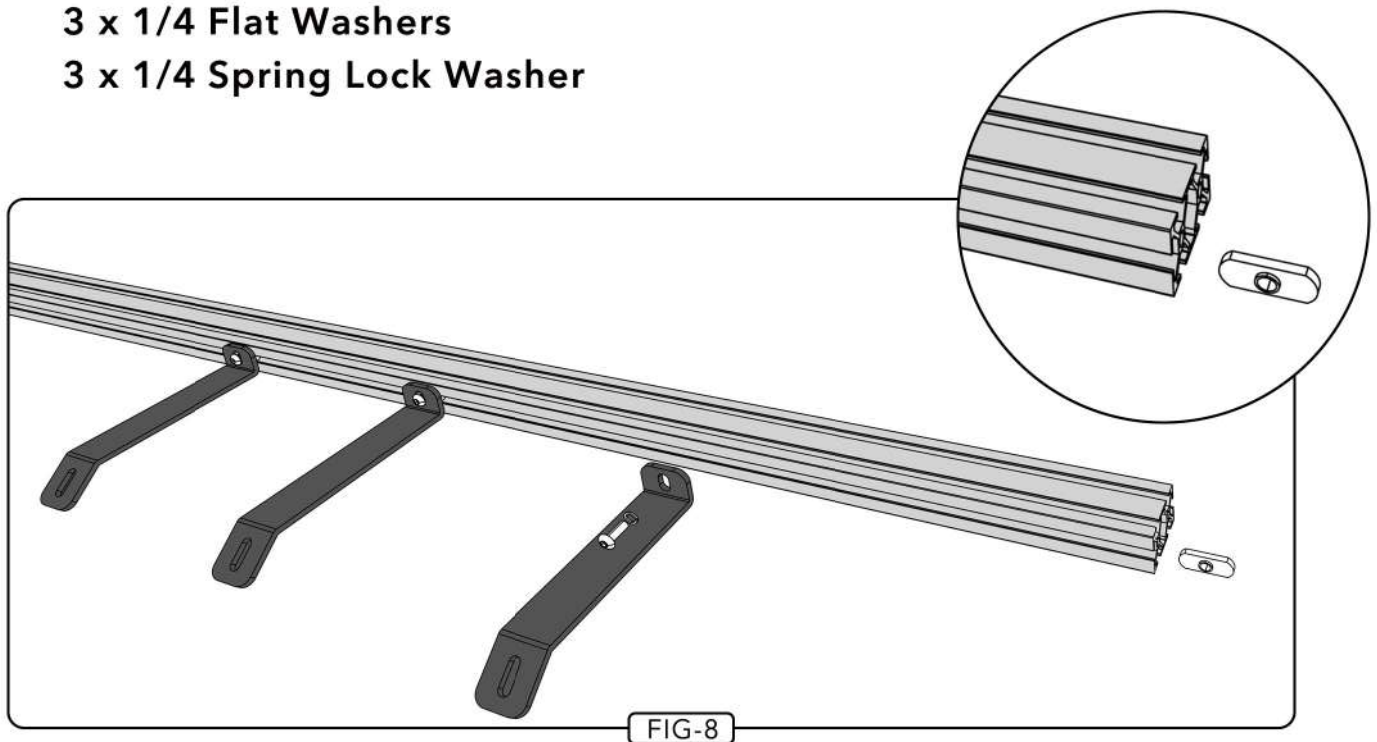
Required Hardware:

3 x T-Nuts

3 x 1/4-20*16mm Button Head Socket Cap Screws

3 x 1/4 Flat Washers

3 x 1/4 Spring Lock Washer



4.2 Attach the fairing to the three reinforcement brackets (FIG-9).

Required Hardware:

Required Hardware:

3 x 1/4-20 Button Head Socket Cap Screws

3 x 1/4 Flat Washers

3 x 1/4 Lock Nuts

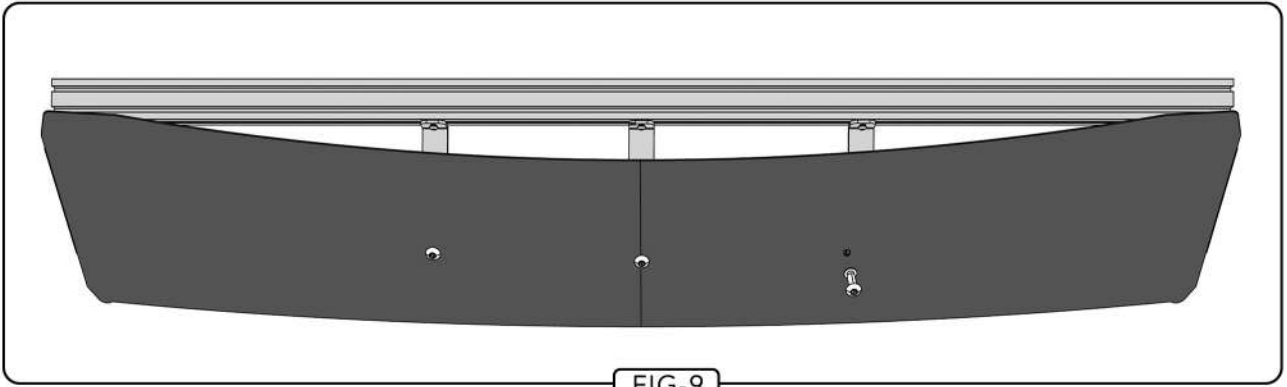


FIG-9

4.3 Attach Trim Gasket: Place the trim gasket into the bottom of the fairing. Make sure that the “bulbed” side of the trim is facing the Crossbar, as that will be the part that sits against the van (FIG-10).

Note: If the trim gasket does not seat properly against the bottom of the fairing, you can apply a small amount of adhesive inside the trim gasket.

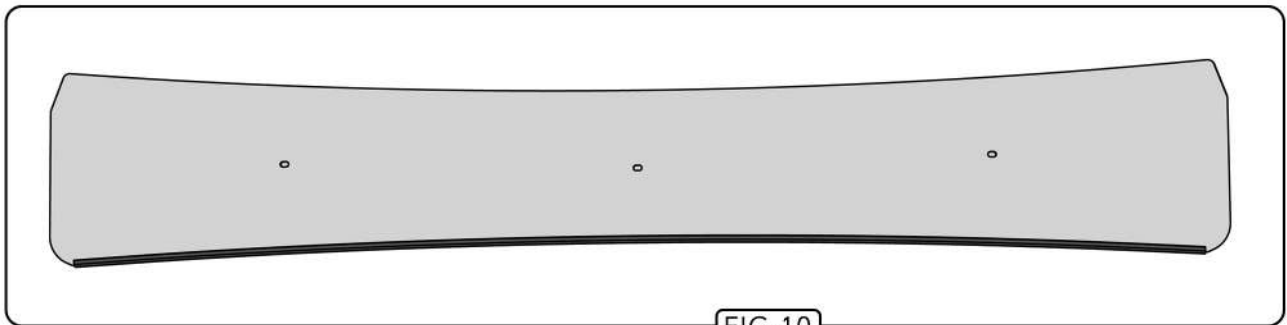


FIG-10

4.4 Secure the spoiler and the crossbar to their respective holes on the front side rails (FIG-11).

Required Hardware:

8 x 1/4-20 Button Head Socket Cap Screws

8 x 1/4 Flat Washers

4 x 1/4 Lock Nuts

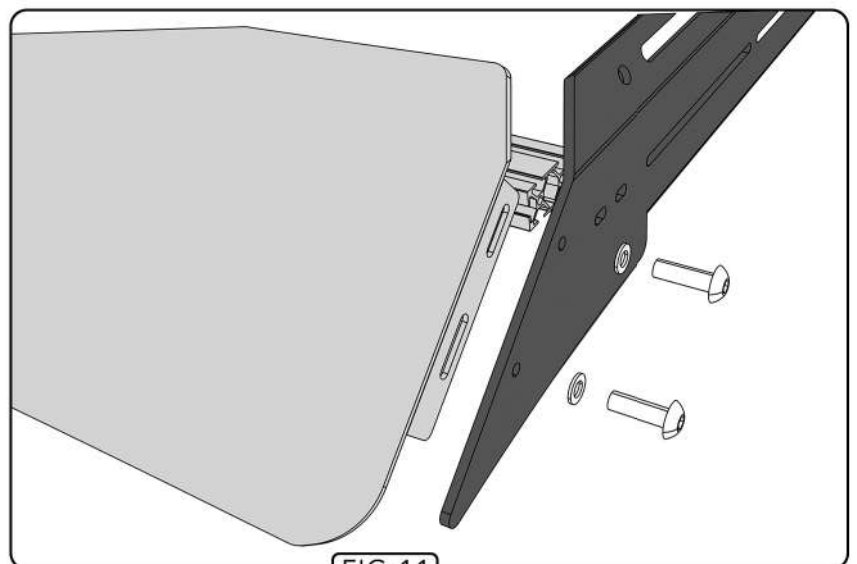


FIG-11

5 Step 5: ADJUSTMENTS AND TUNING

5.1 Secure Crossbars: Begin tightening the Crossbars into place, starting with the front-most crossbar.

5.2 Front-To-Back Adjustment: Check to make sure you are happy with your alignment to the van Front-To-Back. Once you are happy with how the rack is aligned, proceed to tighten down fasteners holding the Side Rails to the Landing Pads.

Show Us Your Adventures!

We love seeing VANNCAMP gear out in the wild! Share your photos by tagging **@vanncamp** on social media, or email them directly to us at **support@vanncamp.com**. We enjoy featuring our community's journeys! Tell Us What You Think! As fellow van enthusiasts, we're eager to hear about your experience. Help others by sharing your thoughts and leaving a review on our link.