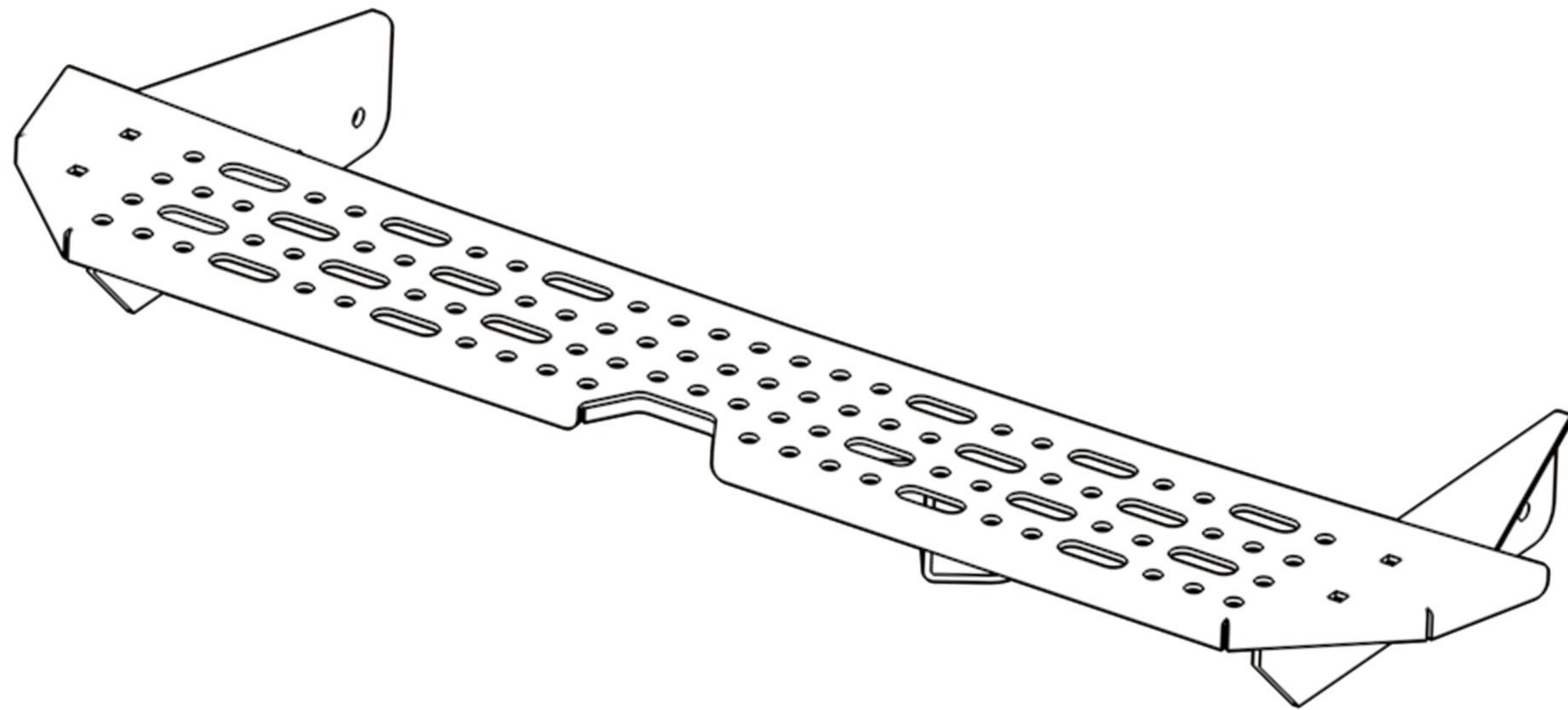


VANNCAMP INSTALLATION GUIDE

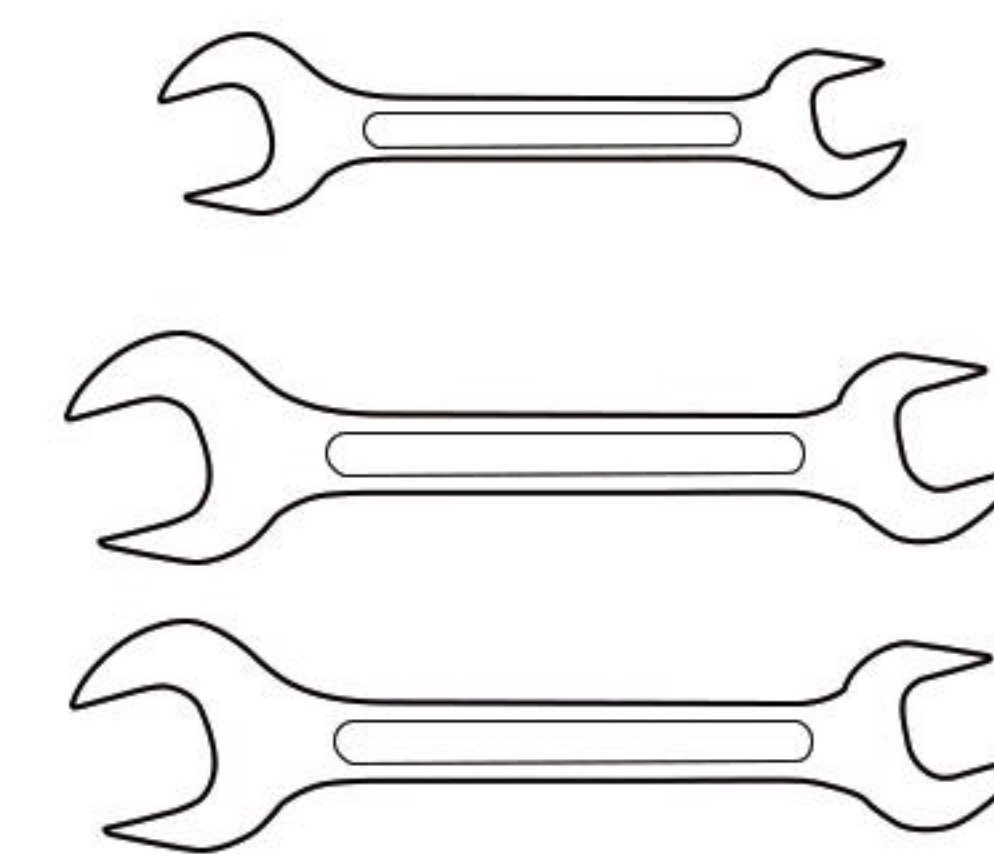
SPRINTER VAN REAR STEP



INSTALLATION TIP

we recommend having two people for installation.

TOOLS



Open-end wrench x3

READ BEFORE INSTALLING

When installing your VANNCAMP rear step, make sure all components are properly assembled and securely fastened.

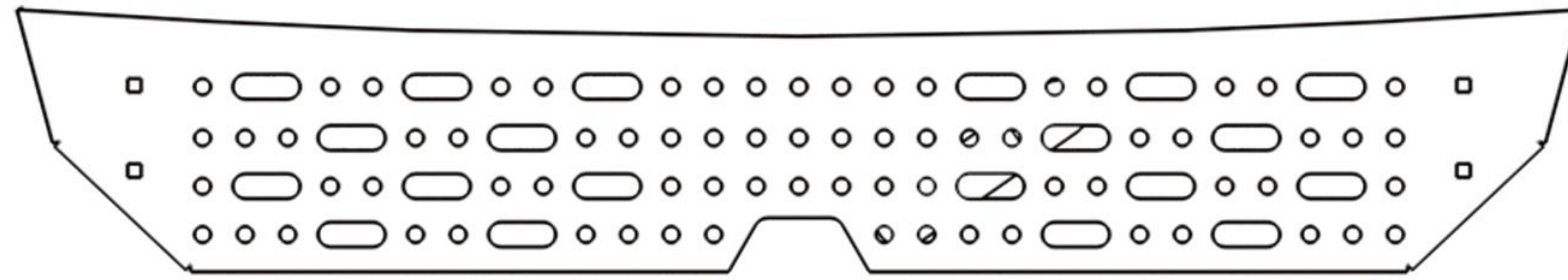
Improper installation or loose fittings can lead to accidents or injuries.

Customers are fully responsible for the correct assembly and safe installation of all VANNCAMP products. This includes checking the mounting points before use and regularly inspecting the product for signs of wear or damage.

We recommend hiring a professional installer, especially if you're not confident in your mechanical skills or unfamiliar with installation procedures.

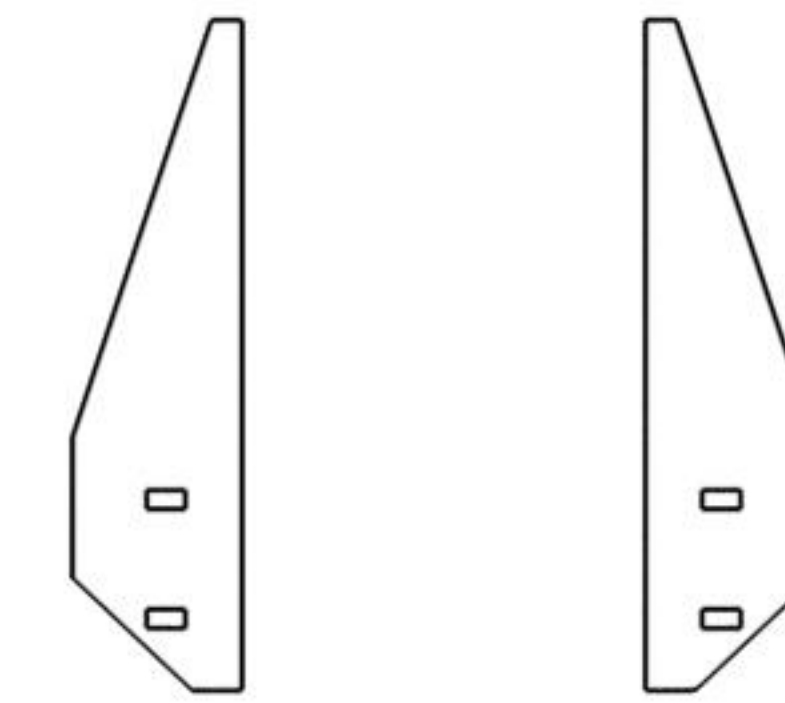
Proper installation is essential for your safety and the safety of others—please take this responsibility seriously.

HARDWARE PACK



Rear Step

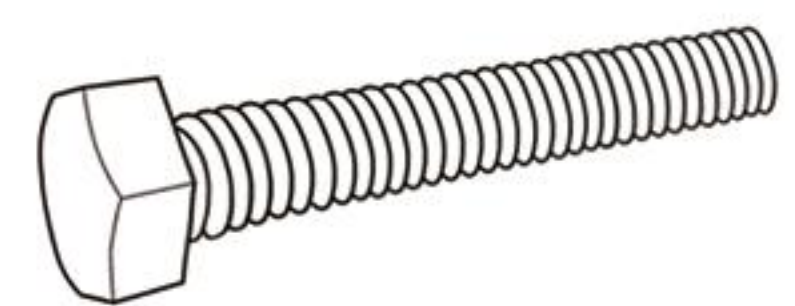
QTY1



Support Brackets

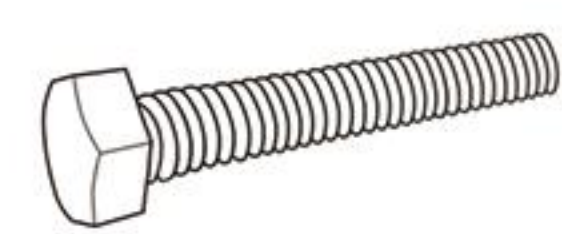
QTY2

Tool



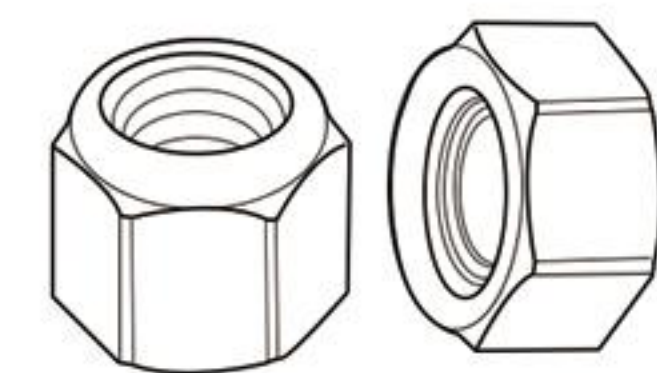
M12 Hex Bolt

QTY4



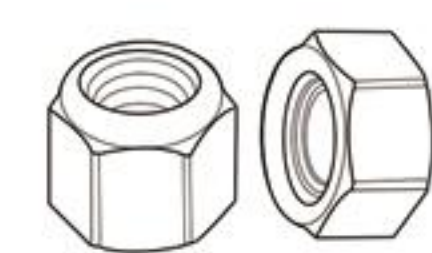
M10 Hex Bolt

QTY1



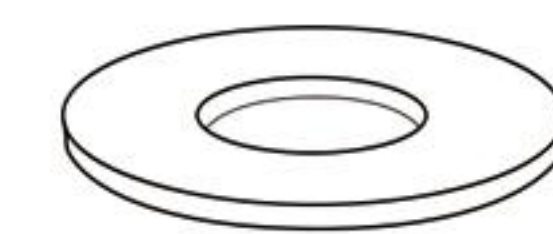
M12 Flat Washer

QTY2



M10 Flat Washer

QTY1



M12 Lock Nut

QTY2



M10 Lock Nut

QTY1



5/16-18 Carriage Bolt

QTY4



Flange Hex Nut

QTY4

REAR STEP INSTALLATION

Step 1. First, install the side supports. Align the holes, insert two M12 hex head bolts with washers, and thread on the lock nuts.



Step 2. Using the wrenches, tighten the bolts, making sure to keep the connecting piece as level as possible while tightening.



Step 3. Place the rear step onto the rear hitch and align the holes (including the connection holes on the bottom center of the rear step). Insert two 5/16-18 carriage bolts.



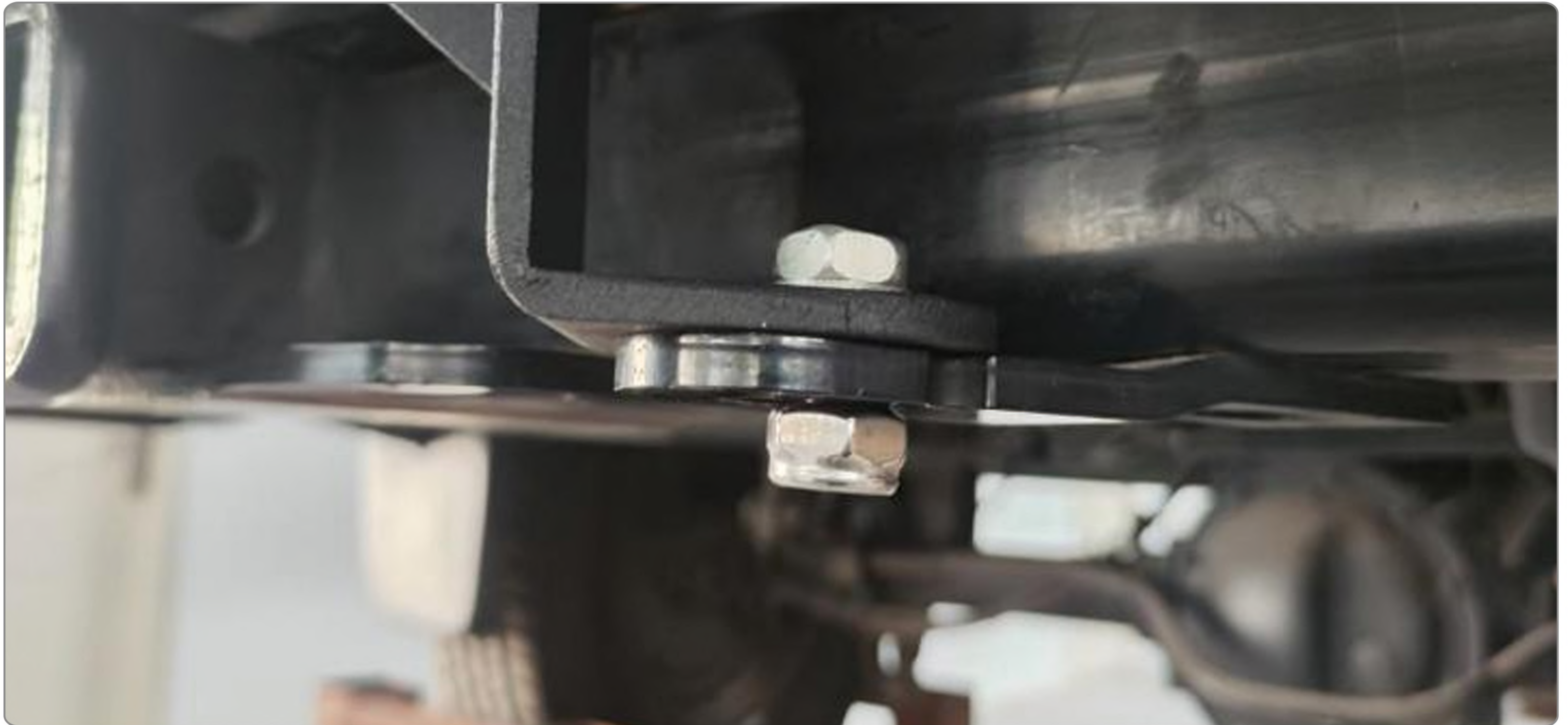
Step 4. Secure the 5/16-18 carriage bolts with flange hex nuts, but don't tighten them yet.



Step 5. Secure the bottom connection holes of the rear step with M10 hex head bolts, washers, and lock nuts.



Step 6. Tighten with the wrenches.



Step 7. Finally, check and tighten all bolts on every part.



IN THE END

Show Us Your Adventures!

We love seeing VANNCAMP gear out in the wild! Share your photos by tagging @vanncamp on social media, or email them directly to us at support@vanncamp.com. We enjoy featuring our community's journeys!

Tell Us What You Think! As fellow van enthusiasts, we're eager to hear about your experience. Help others by sharing your thoughts and leaving a review on our link.