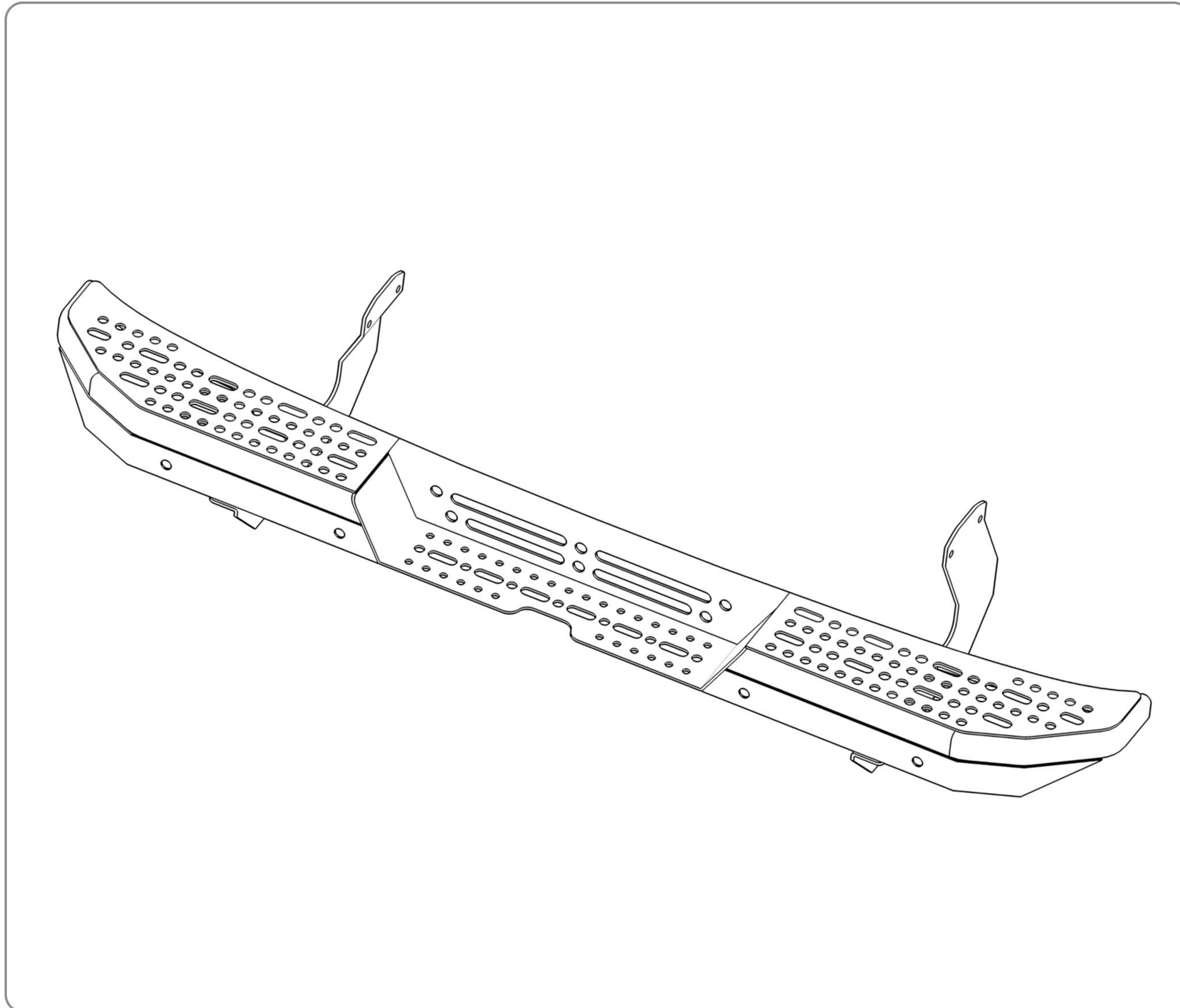


VANNCAMP INSTALLATION GUIDE

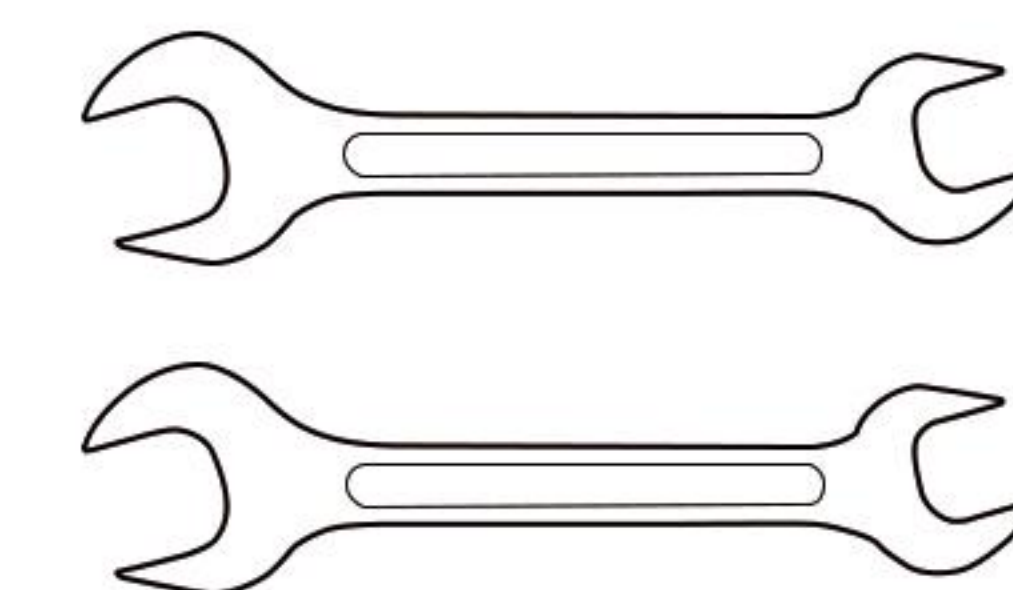
SPRINTER VAN REAR STEP



IMPORTANT

This product requires relocating the radar sensor from the rear plastic bumper to the provided mounting holes on the rear step for proper operation.

TOOLS



Open-end wrench x2

READ BEFORE INSTALLING

When installing your VANNCAMP rear step, make sure all components are properly assembled and securely fastened.

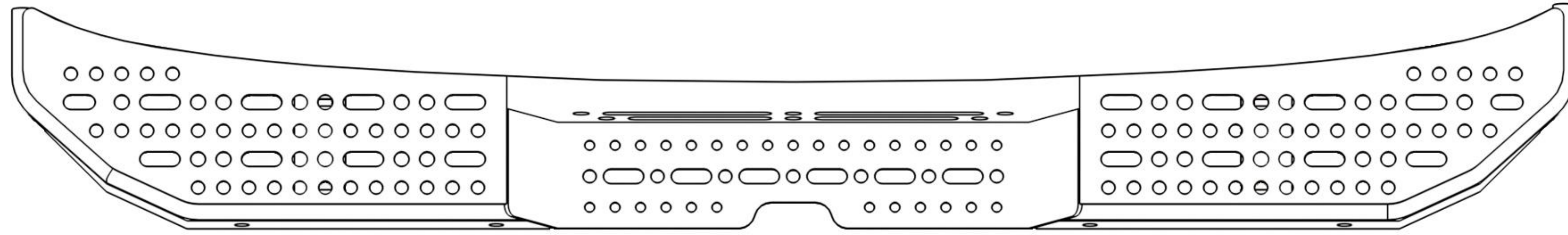
Improper installation or loose fittings can lead to accidents or injuries.

Customers are fully responsible for the correct assembly and safe installation of all VANNCAMP products. This includes checking the mounting points before use and regularly inspecting the product for signs of wear or damage.

We recommend hiring a professional installer, especially if you're not confident in your mechanical skills or unfamiliar with installation procedures.

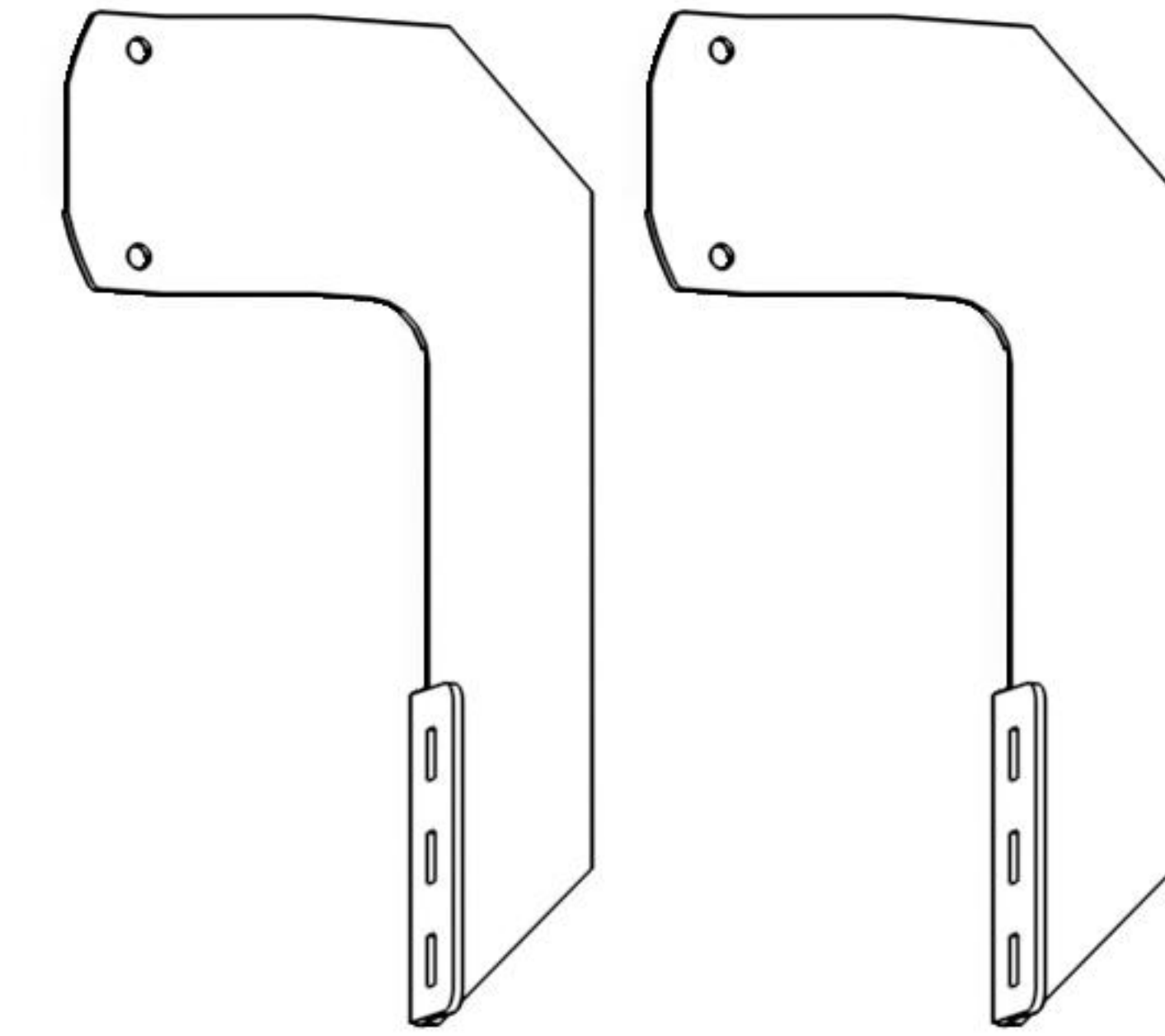
Proper installation is essential for your safety and the safety of others—please take this responsibility seriously.

HARDWARE PACK



Rear Step

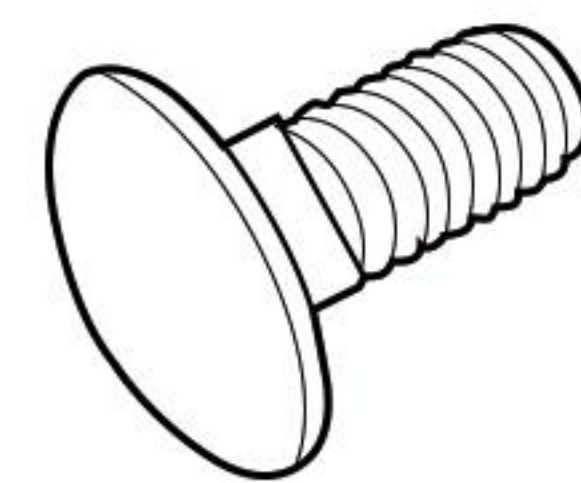
QTY1



Support Brackets

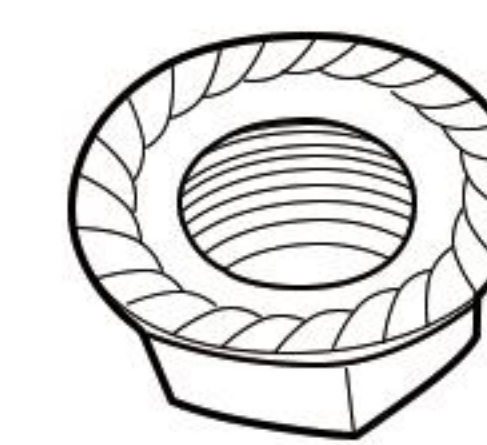
QTY2

Tool



5/16-18 Carriage Bolt

QTY6



Flange Hex Nut

QTY6

REMOVE THE RADAR

Step 1: Remove the three screws securing the plastic bumper.



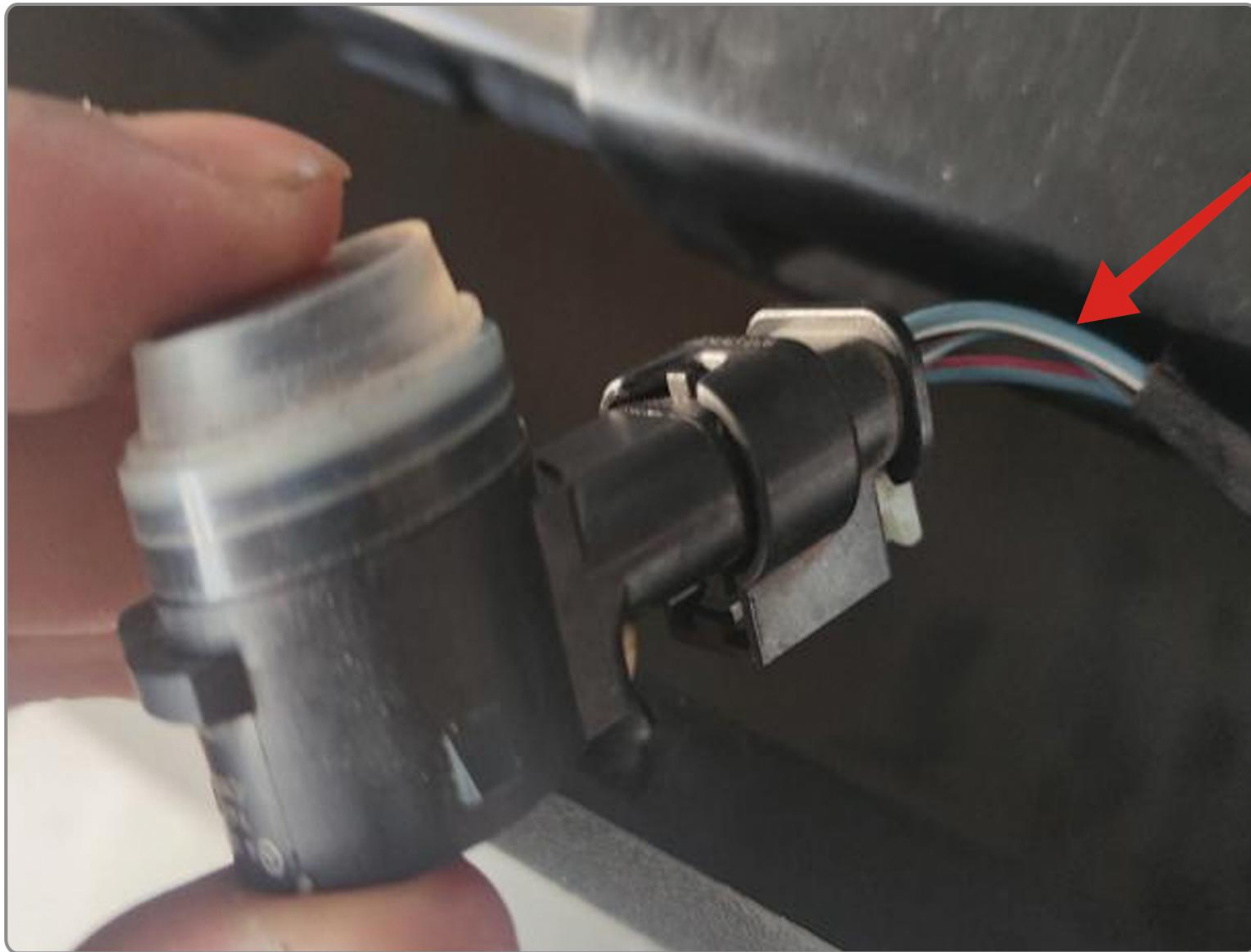
Step 2: Pry open the plastic bumper to expose the four blind-spot assist sensors.



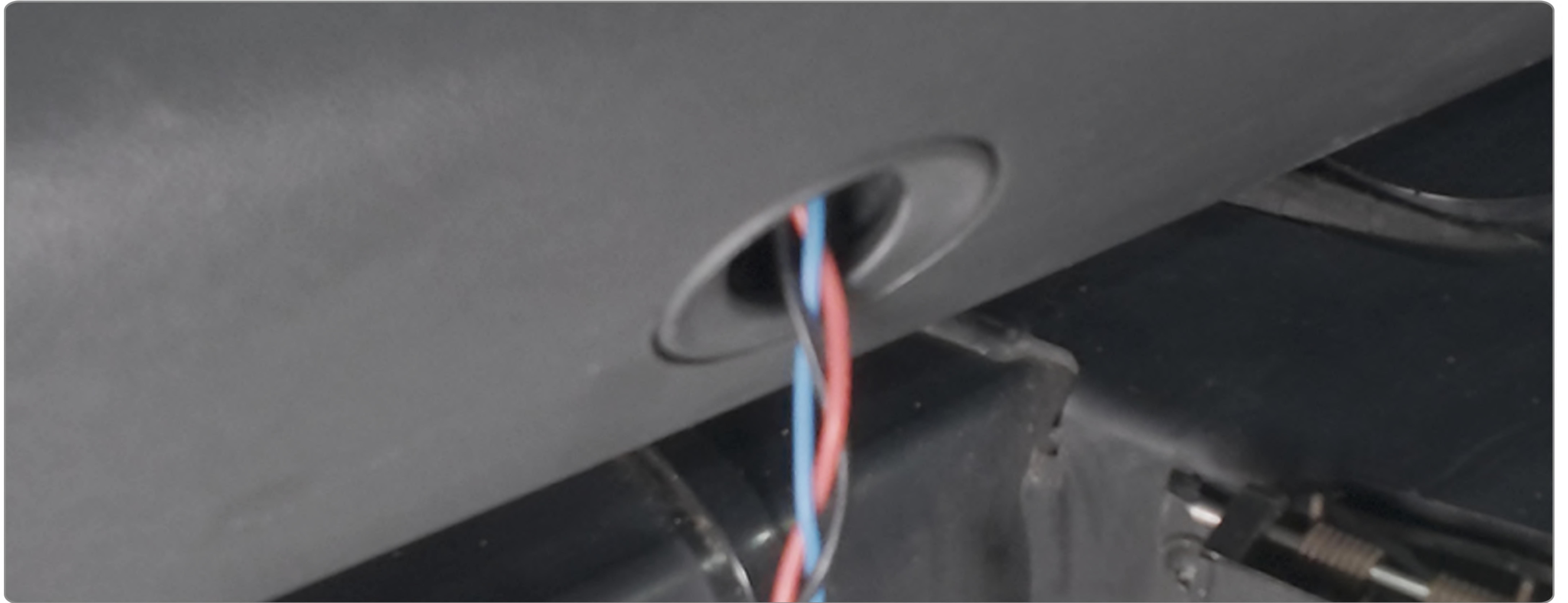
Step 3: Carefully unclip the sensor and take it out; you'll need it for the radar installation process later.



Step 4: Cut the sensor's three signal wires and feed them through the three holes in the plastic bumper (you might need extra signal wire to extend them).



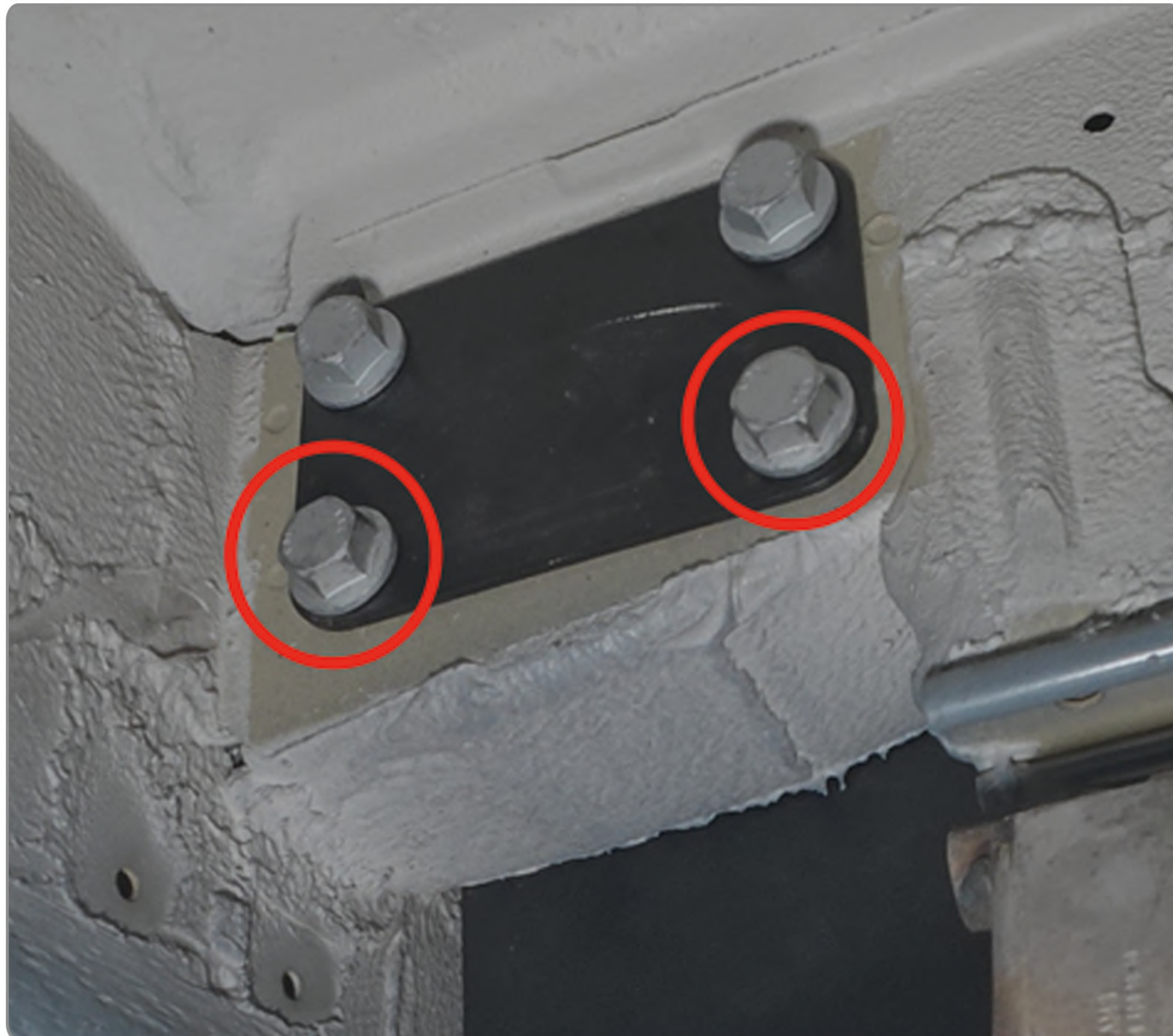
Cut the sensor's signal wires with scissors, then use additional signal wire to extend their length.
Note: The sensor needs to be mounted in the rear hole of the rear step, so ensure the signal wires are long enough.



Step 5: Reinstall the plastic bumper.

INSTALL THE REAR STEP

Step 1: Remove the four bolts (two on each side) from the vehicle's underbody beam using an M12 open-end wrench.



Step 2: Position the connecting brackets, aligning it with the holes. Use the M12 bolts from the previous step to secure it. The installation process is identical for both sides, just ensure you're using the correct left and right components.



Step 3: Place the rear step onto the connector, aligning it with the holes.



Step 4: Place the running board onto the support connectors. Secure it to the support connectors on both sides using 5/16-18 carriage bolts and flange hex nuts.

Step 5: Rear step installation complete.



INSTALL THE RADAR STEPS

Step 1: Detach the radar from the signal wire clip.



Step 2: Insert the radar into the plastic connector with the non-adhesive surface.



Step 3: Peel off the non-adhesive film and stick the entire plastic connector into the pre-drilled radar hole on the rear step.



Step 4: Before use, the radar must be correctly connected to the signal wire clip and the signal wire.

IN THE END

Show Us Your Adventures!

We love seeing VANNCAMP gear out in the wild! Share your photos by tagging @vanncamp on social media, or email them directly to us at support@vanncamp.com. We enjoy featuring our community's journeys!

Tell Us What You Think! As fellow van enthusiasts, we're eager to hear about your experience. Help others by sharing your thoughts and leaving a review on our link.