

# VANNCAMP

**ASTRA  
GUARD**



**SAFARI RACK  
WITH DROP FRONT 144**

## READING BEFORE USING

VANNCAMP products must be properly assembled and secured before use. Improper assembly or installation can lead to serious accidents and injuries. By following these instructions and safety guidelines, you can ensure safe and enjoyable use of your Astra Guard roof rack. Failure to follow these guidelines may result in accidents or injuries.

### IMPORTANT SAFETY INFORMATION:

- Factory or aftermarket tracks required: This roof rack must be mounted onto existing factory or aftermarket tracks on your vehicle's roof.
- Avoid over-tightening: Over-tightening bolts can cause hardware failure, Use the appropriate torque value.
- Thread lubricant: Apply anti-seize lubricant to bolt threads to prevent binding.
- Two-person installation: This installation requires two people for safety and efficiency.
- Professional installation: If you're unsure about the installation process, consult a professional mechanic.
- Load capacity: Do not exceed the roof rack's maximum load capacity.
- Secure cargo: Properly secure all cargo to the roof rack to prevent it from shifting or falling off.
- Driving conditions: Avoid driving in extreme weather conditions or on rough roads.
- Safety first: Always prioritize safety when using VANNCAMP products.

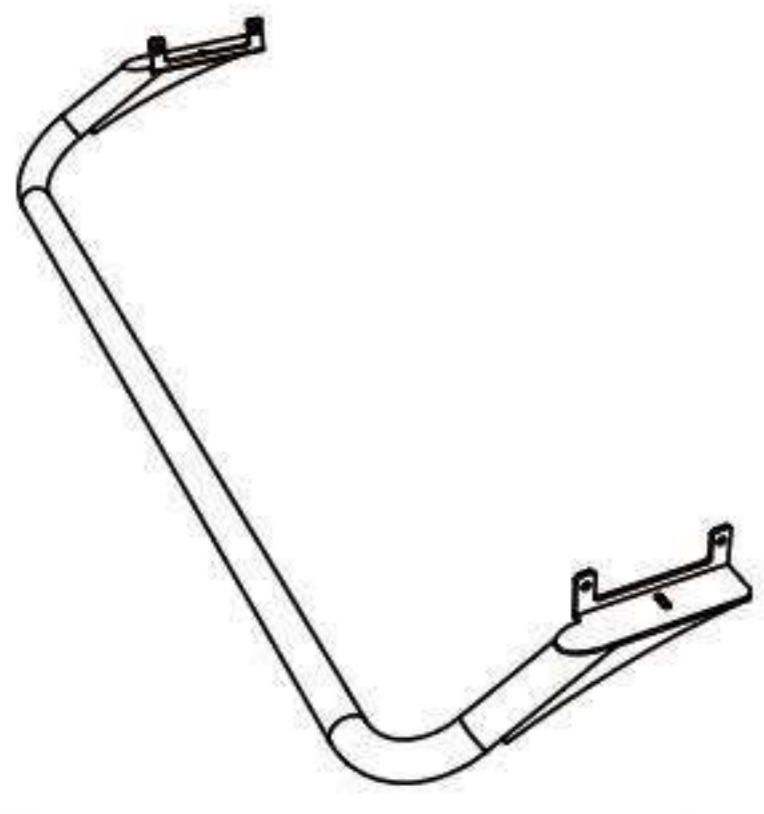
EXCITED TO GET YOUR NEW SAFARI RACK INSTALLED? BEFORE YOU USING, TAKE A MOMENT TO REVIEW THE FOLLOWING GUIDELINES TO ENSURE A SMOOTH INSTALLATION PROCESS.

- BEFORE USING THE PRODUCT, PLEASE THOROUGHLY INSPECT IT FOR ANY SHIPPING DAMAGE.
- SHOULD YOU DISCOVER ANY DAMAGE TO THE PRODUCT, PLEASE CONTACT OUR CUSTOMER SERVICE WITHOUT DELAY.
- NEXT, CAREFULLY REVIEW THE "PACKAGE CONTENTS" PAGE TO ENSURE THAT ALL LISTED PARTS AND HARDWARE ARE INCLUDED IN THE PACKAGE.
- PLEASE CHECK IF ALL THE INCLUDED INSTALLATION TOOLS ARE PRESENT.

# Hardwares and Tools List

Packs	Items	Specifications	Quantity
	<b>Hardwares</b>		
Pack 1	Hex Socket Screw	5/16-18x20mm	64
	Flat Washer	5/16-18	64
	Split Washer	5/16-18	64
Pack 2	T-nut		44
	Hex Socket Screw	1/4-20x16mm	56
	Flat Washer	1/4-20	56
	Split Washer	1/4-20	56
	Lock Nut	1/4-20	6
Pack 3	Hex Head Screw	1/4-20x16mm	12
	Flat Washer	1/4-20	12
	Split Washer	1/4-20	12
Pack 4	Hex Socket Screw	3/8-16x20mm	16
	Flat Washer	3/8-16	16
	Lock Nut	3/8-16	16
Pack 5	Hex Head Screw	3/8-16x20mm	8
	Flat Washer	3/8-16	8
	Split Washer	3/8-16	8
	Rail Nut	3/8-16	8
Pack 6	Hex Socket Screw	3/8-16x20mm	6
	Flat Washer	3/8-16	6
	Lock Nut	3/8-16	6
Pack 7	Hex Socket Screw	1/4-20x16mm	6
	Flat Washer	1/4-20	6
	Split Washer	1/4-20	6
	Lock Nut	1/4-20	6
	<b>Tools</b>		
Pack 8	Allen Wrench	1/4-20	1
		3/8-16	1
		5/16-18	1
	Open-end Wrench	1/4-20	1
		3/8-16	1
		5/16-18	1

# PACKAGE CONTENTS



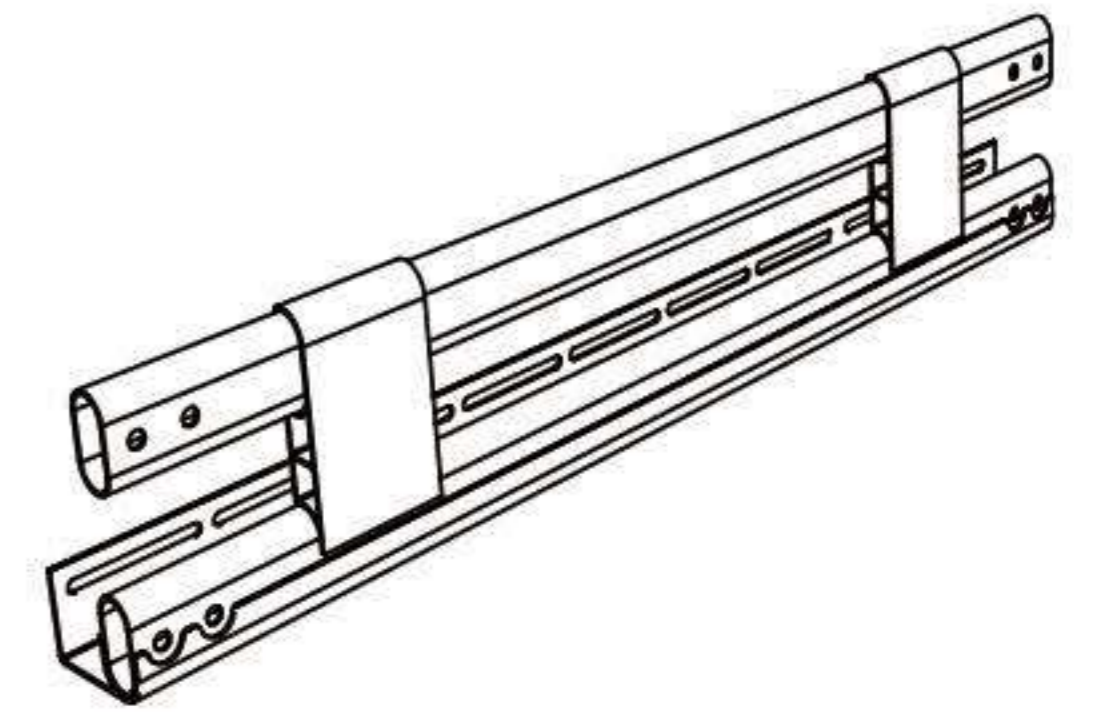
Angled Support(A7-10)

QTY-1



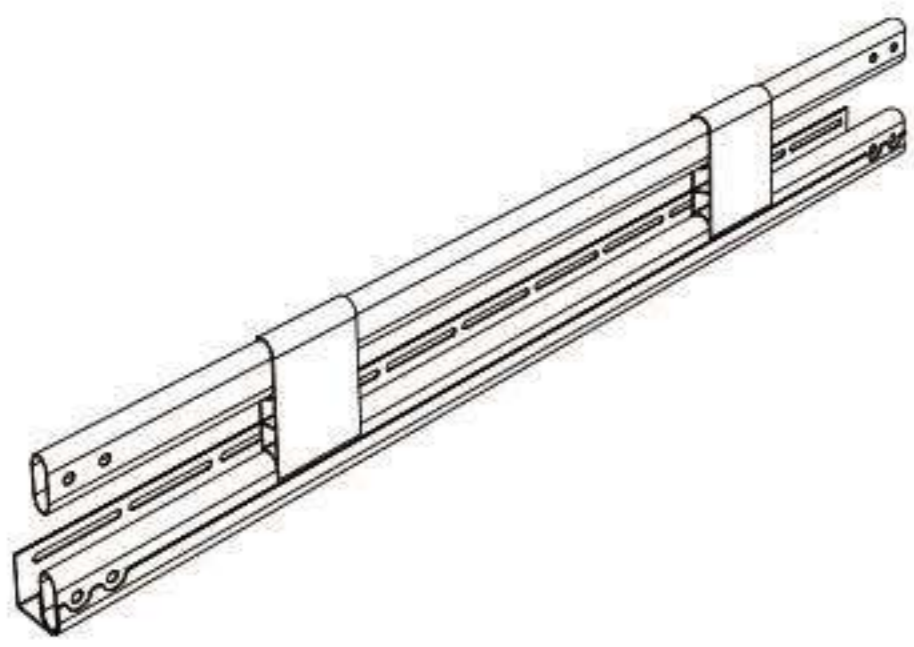
Front End(A7-1)

QTY-1



Fence Panel(A8-2)

QTY-2



Fence Panel(A7-3)

QTY-4



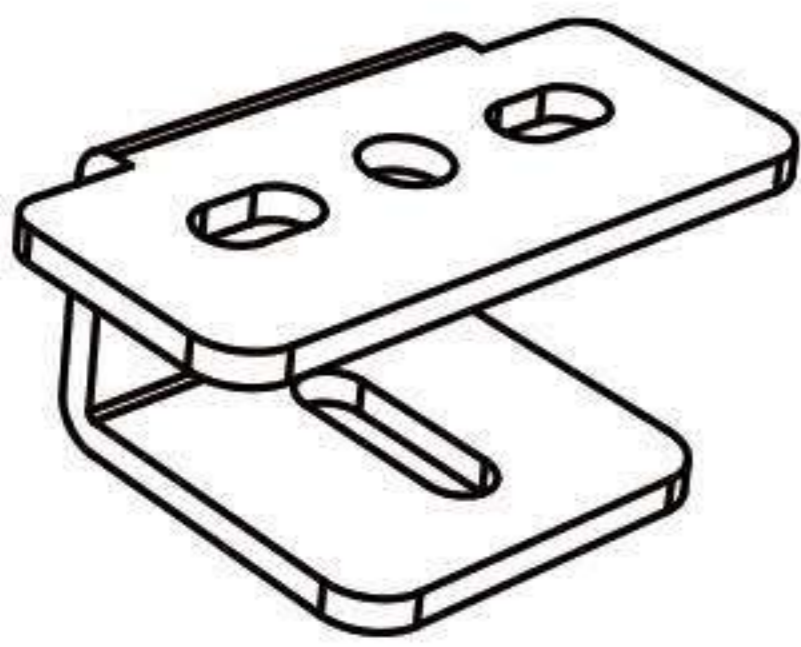
Rear End(A7-4)

QTY-1



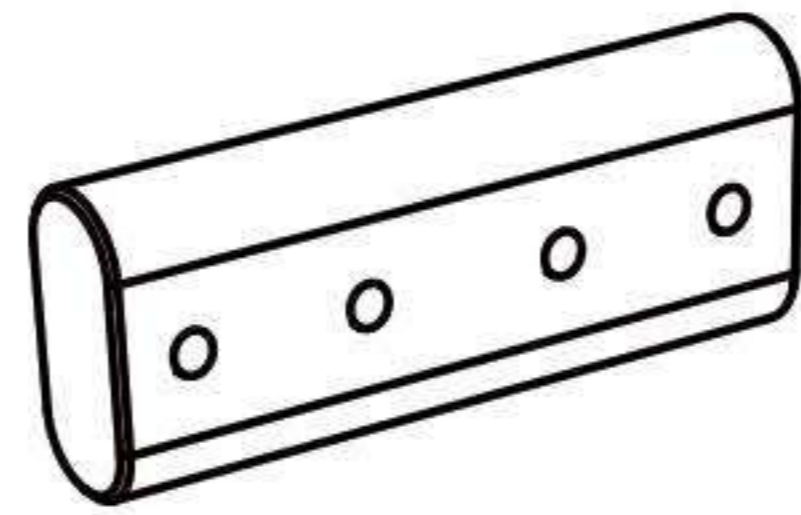
Crossbar(A7-5)

QTY-3



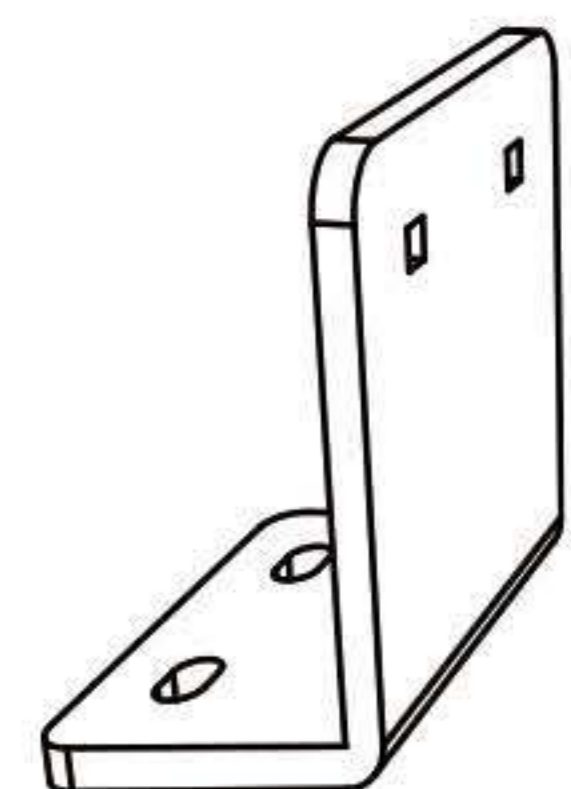
Roof Rail Connector(A7-6)

QTY-8



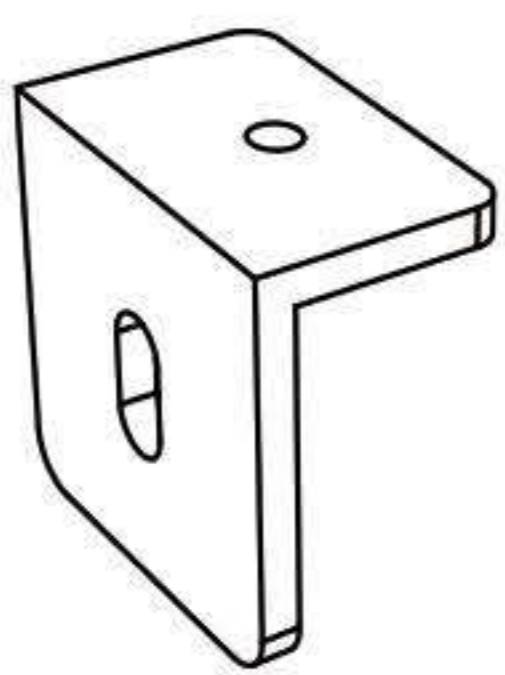
Fence Connector(A7-7)

QTY-16



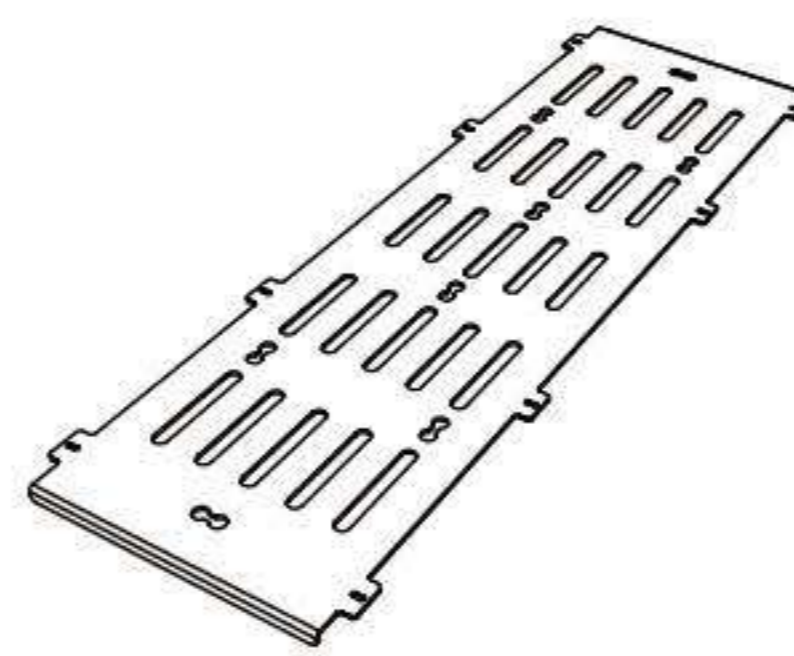
Awning Connector(A7-8)

QTY-3



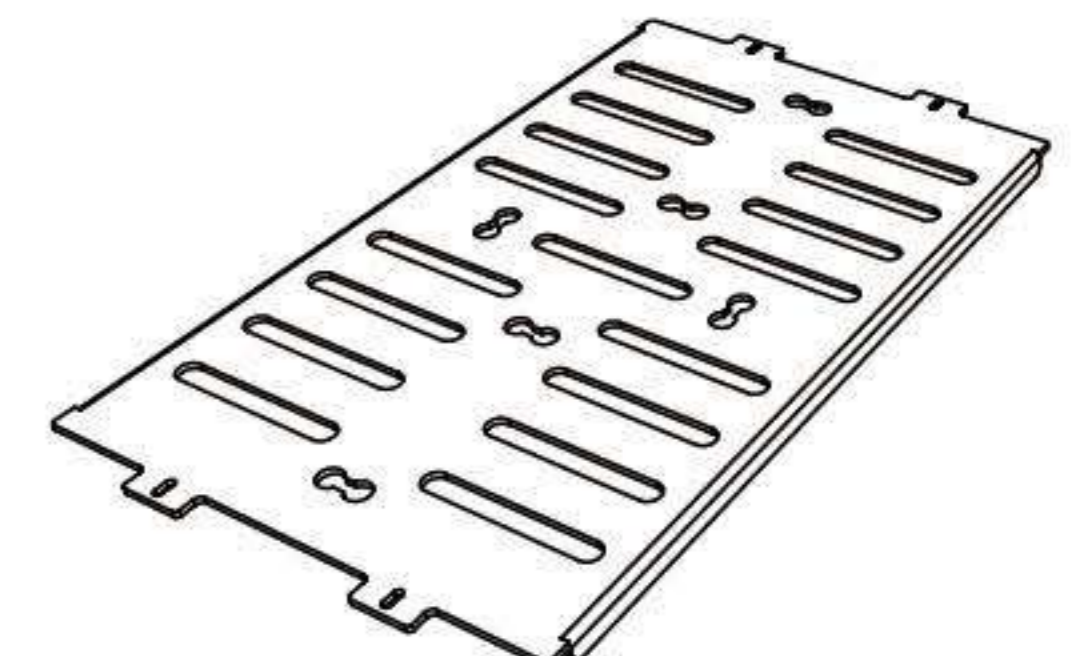
Deck Connector(A7-9)

QTY-6



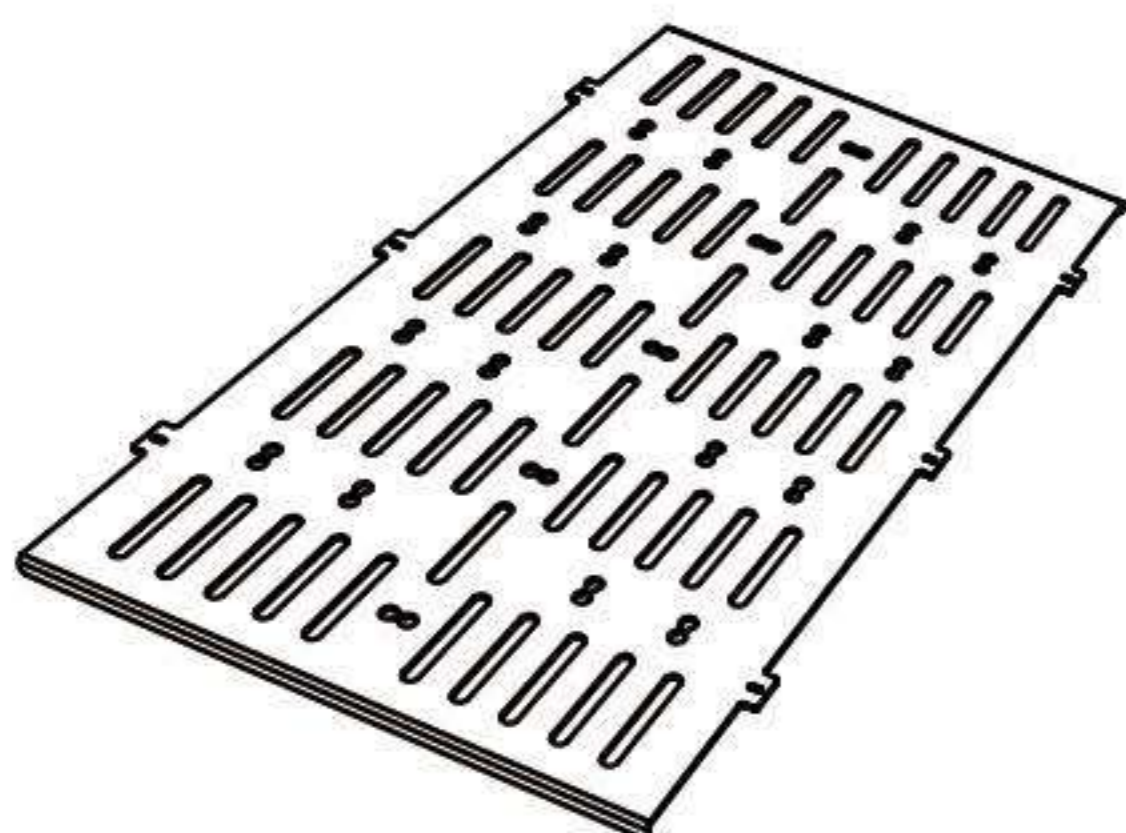
Decking Panel(TYJB-2)

QTY-1



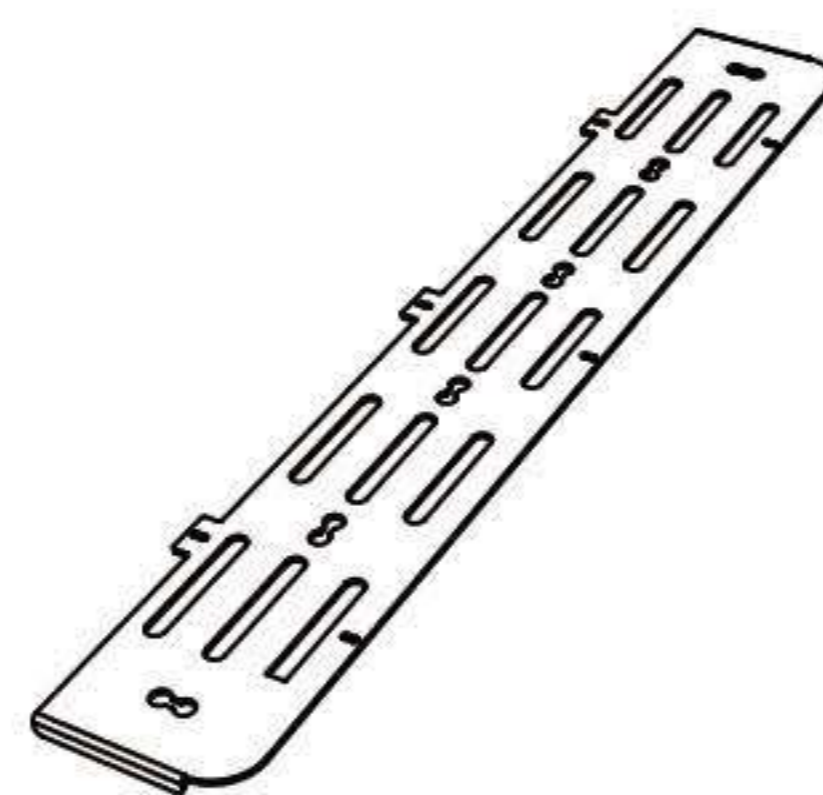
Decking Panel(TYJB-3)

QTY-6



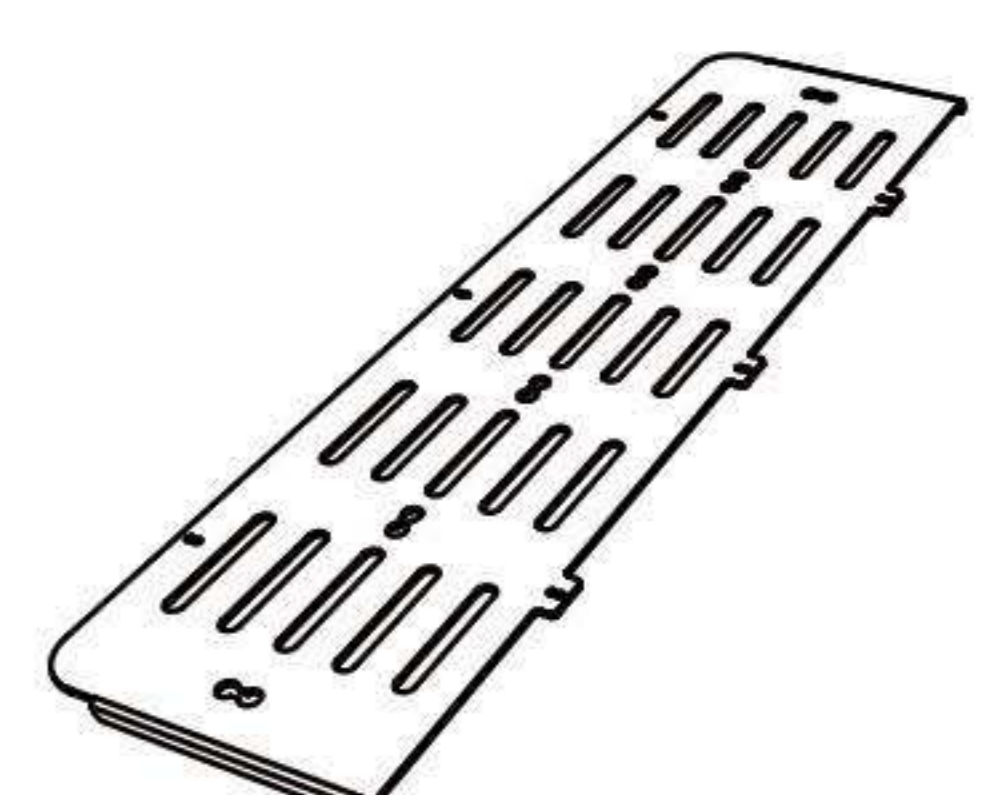
Decking Panel(TYJB-4)

QTY-1



Decking Panel(TYJB-7)

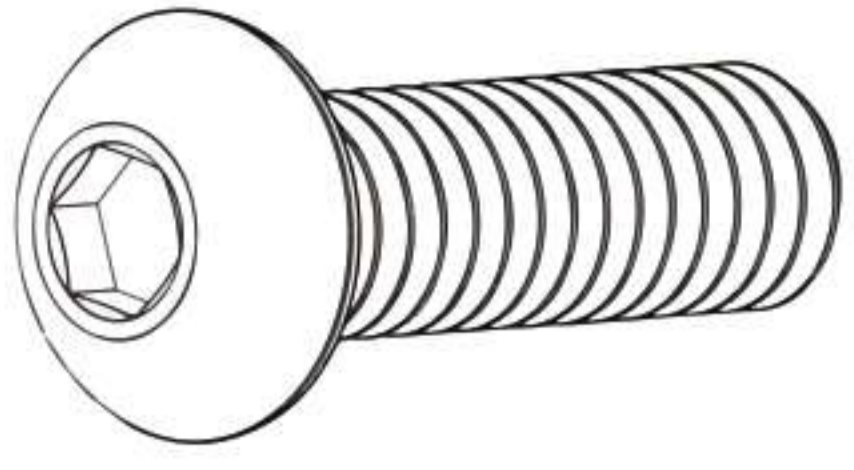
QTY-1



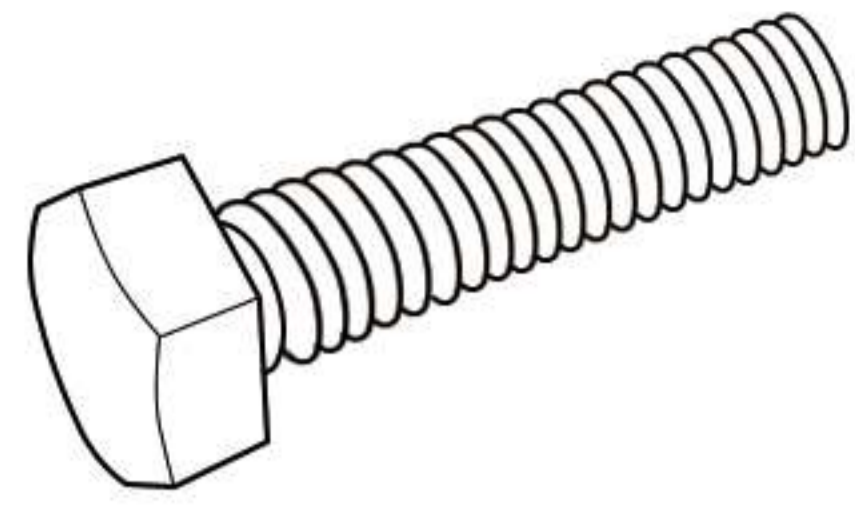
Decking Panel(TYJB-8)

QTY-1

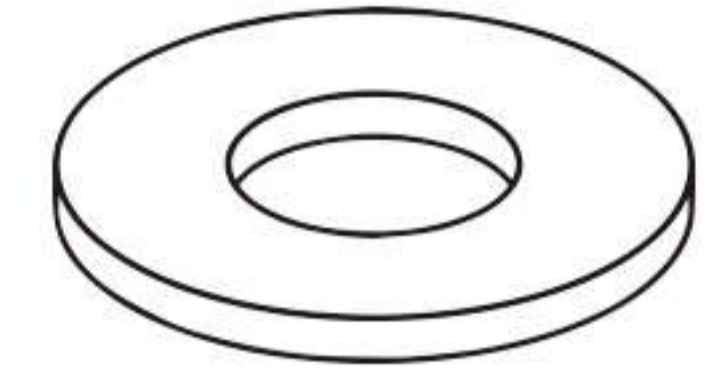
## HARDWARE PACK



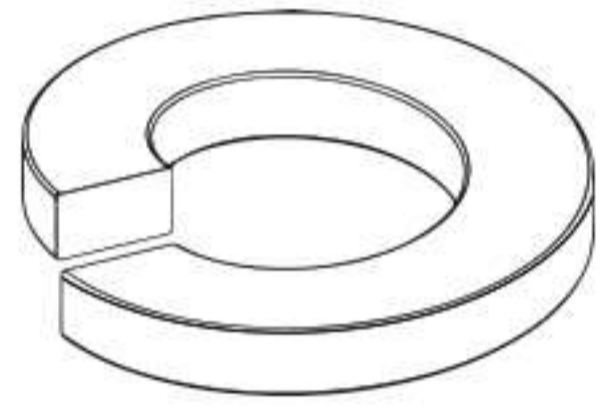
Hex Socket Screw



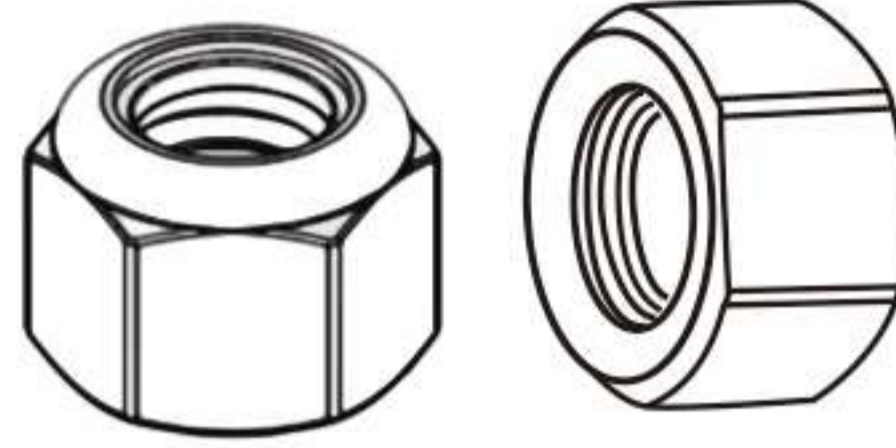
Hex Head Screw



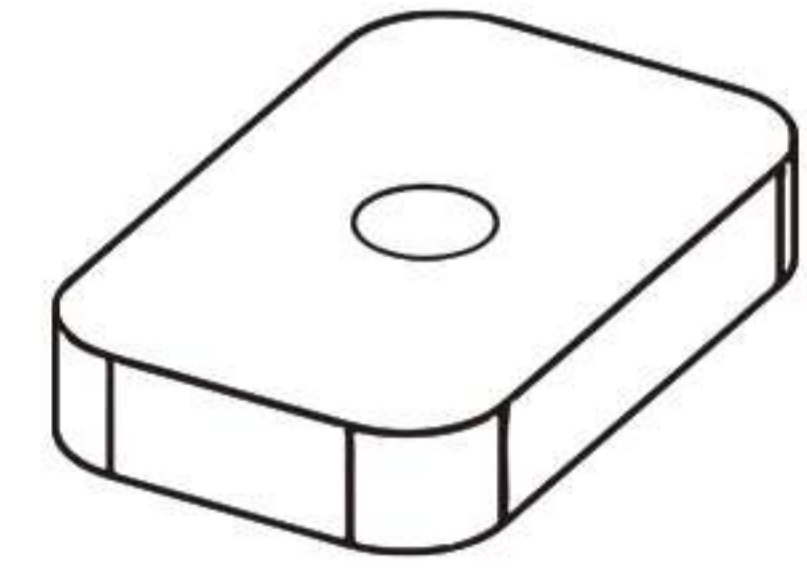
Flat Washer



Split Washer



Lock Nut



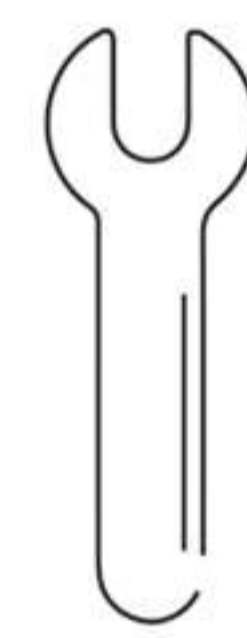
Rail Nut



T-nut

## TOOLS

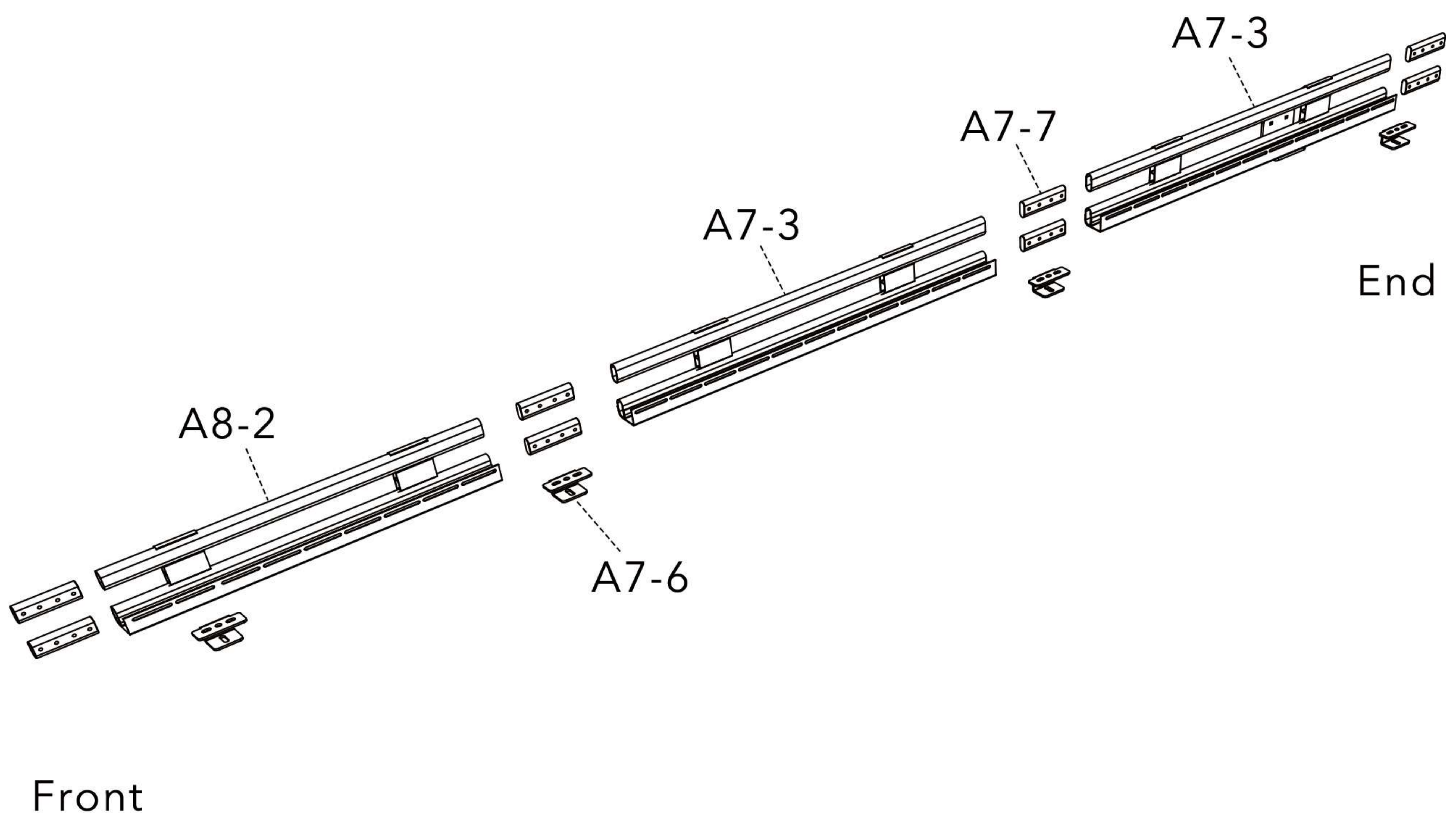
- Allen Wrench
- Open-end Wrench



## INSTALL STEP

### 1 Step 1: Attach the Left and Right Fence Panels Separately. (This step can be done on the ground.)

1. Gather all the parts shown in the diagram. Lay out the fence panels according to the illustration, making sure the fence panel positions are correct, otherwise it will affect the subsequent deck installation.



2. Insert the fence connectors (A7-7) into the tubes, align them with the holes, and screw in the 5/16-18 hex socket screws. Use this method to connect all three sections. For the A7-7 connectors at the beginning and end, ensure that two holes remain outside the tube.

Note: Do not fully tighten the screws yet, as adjustments may be needed later.

Fasteners used: 5/16-18 hex socket screws + flat washers + split washers 48 sets

**3.** Install the roof rail connectors (A7-6). The open end of the roof rail connector should face the same direction as the protruding groove on the lower part of the fence panel. Use the 3/8-16 hex socket screw to connect them.

Four A7-6 connectors need to be installed on each fence panel. Except for the front A7-6 connector below A8-2, which needs to be secured at the fourth hole counting from the front, the remaining three A7-6 connectors are all located at the connection points.

Note: Do not fully tighten the screws yet, as adjustments may be needed later.

Fasteners used: 3/8-16 hex socket screws + lock nuts + flat washers  
14 sets

**4.** Follow the same steps to assemble the fence panel on the other side.

## **2** Step 2: Attach the Two Side Fence Panels to the Van Roof

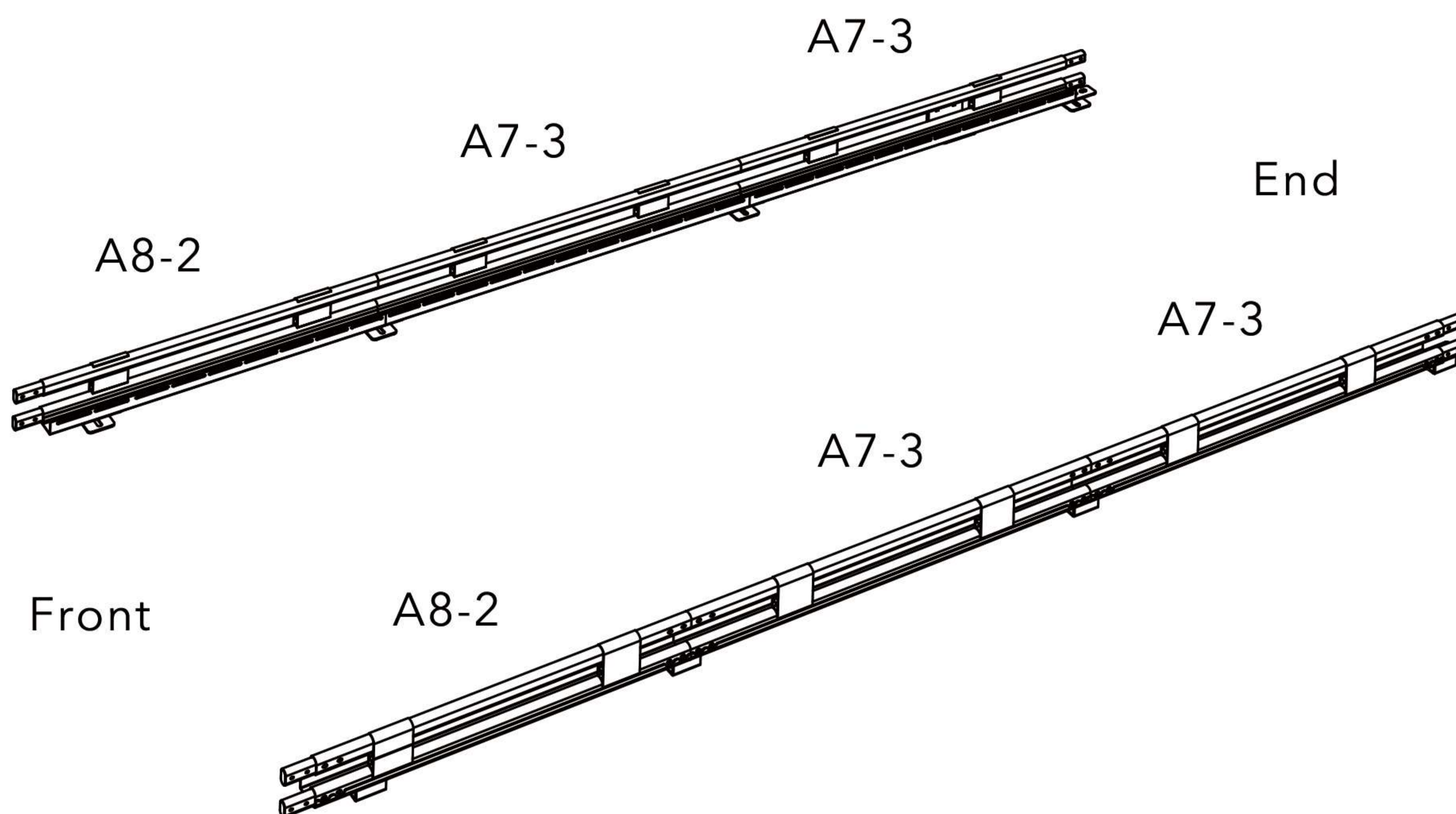
**1.** Insert the rail nuts into the roof rails. These will be used to connect and secure the A7-6 connectors on the bottom of the fence panels. Four are needed per side. (If you need to install our Astra Guard series side ladder, an additional two rail nuts from the ladder packaging will also need to be inserted on the driver's side for ladder installation.)

Fasteners used: Rail nuts 8 pieces

**2.** Take the assembled fence panels to the roof and secure them to the rails on each side. A8-2 is the first fence panel towards the front of the vehicle. Use the 3/8-16 hex head screws to fasten the bottom connectors (A7-6) to the rail nuts. Try to ensure the fence panels are positioned roughly the same on both sides.

Note: Do not fully tighten the screws yet, as adjustments may be needed later.

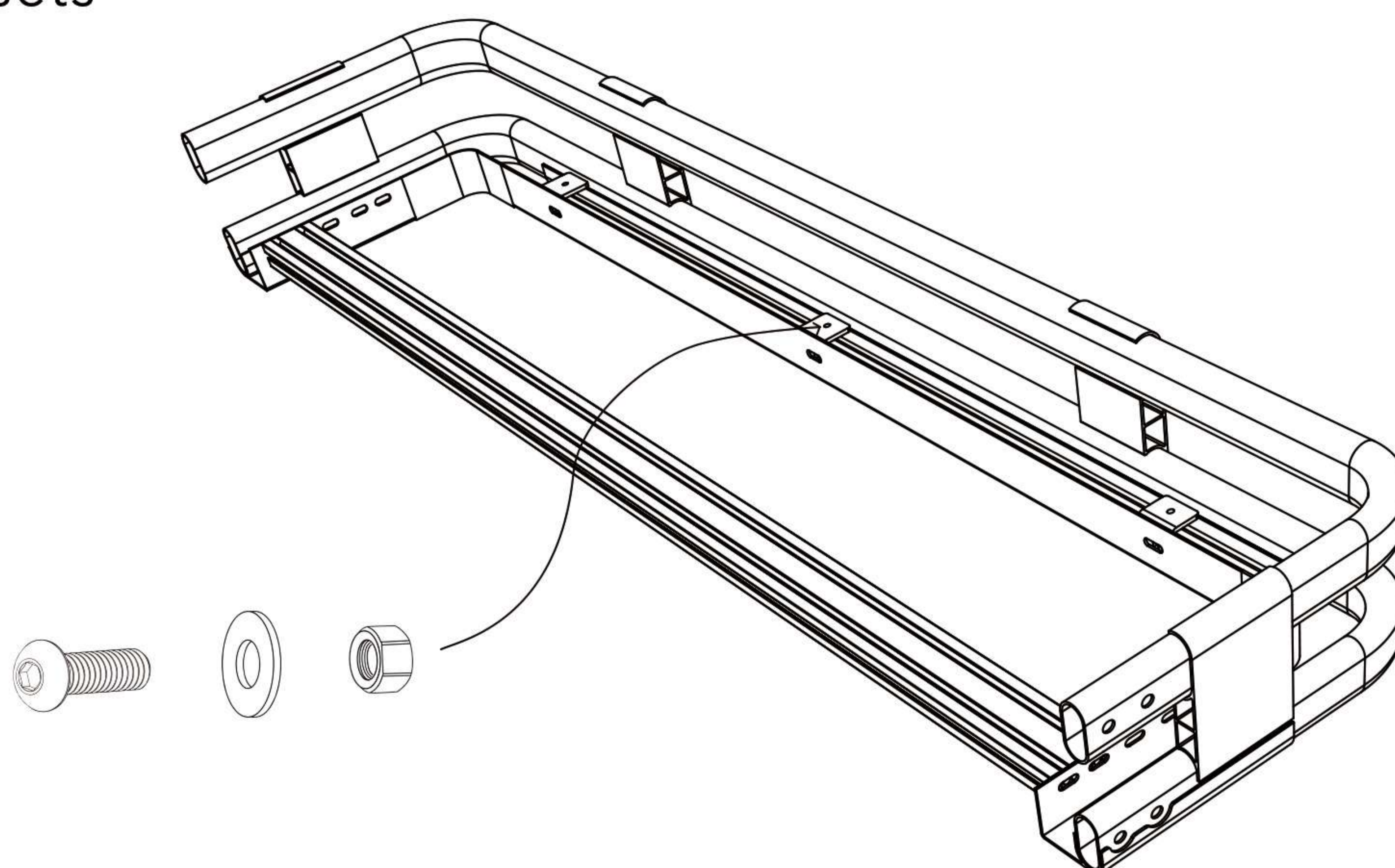
Fasteners used: 3/8-16 hex head screws + flat washers + split washers 8 sets



### 3 Step 3: Install the Rear End of the Roof Rack

1. Use the 1/4-20 hex socket screws to install the three A7-9 deck connectors onto the three pre-drilled holes on the rear end (A7-4) of the roof rack.

Fasteners used: 1/4-20 hex socket screws + flat washers + lock nuts 3 sets



**2.** Attach the rear end of the roof rack to the side fence panels. Use the 5/16-18 hex socket screws to connect the A7-7 connectors. Note: Do not fully tighten the screws yet, as adjustments may be needed later.

Fasteners used: 5/16-18 hex socket screws + flat washers + split washers 8 sets

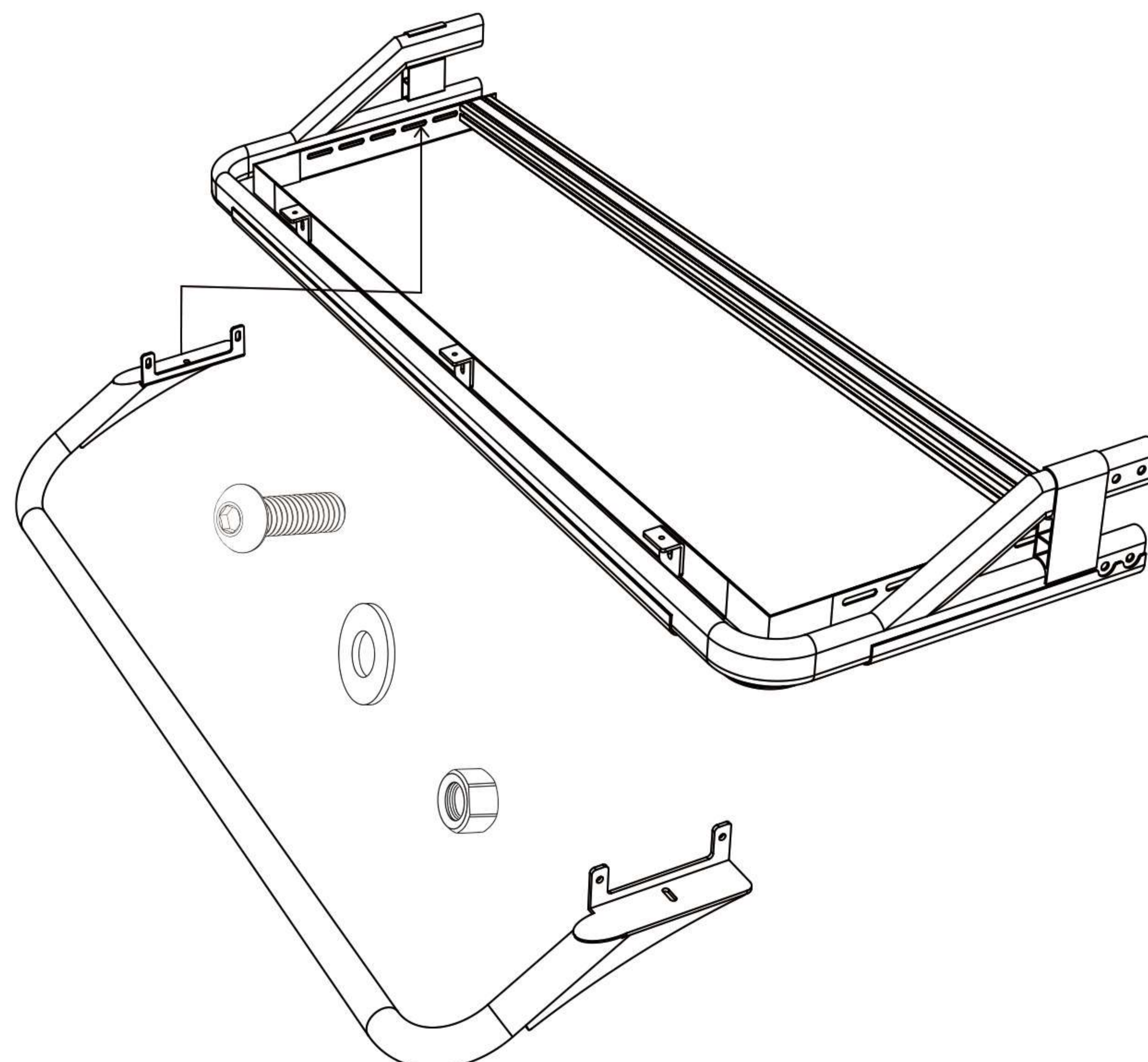
#### **4** Step 4: Install the Front End of the Roof Rack

**1.** Use the 1/4-20 hex socket screws to install the three deck connectors (A7-9) onto the three pre-drilled holes on the front end (A7-1) of the roof rack.

Fasteners used: 1/4-20 hex socket screws + flat washers + lock nuts 3 sets

**2.** Attach the angled support (A7-10) to the front end (A7-1) of the roof rack using the 1/4-20 hex socket screws.

Fasteners used: 1/4-20 hex socket screws + flat washers + lock nuts 6 sets



3. Connect the front end of the roof rack to the side fence panels. Use the 5/16-18 hex socket screws to connect the A7-7 connectors.

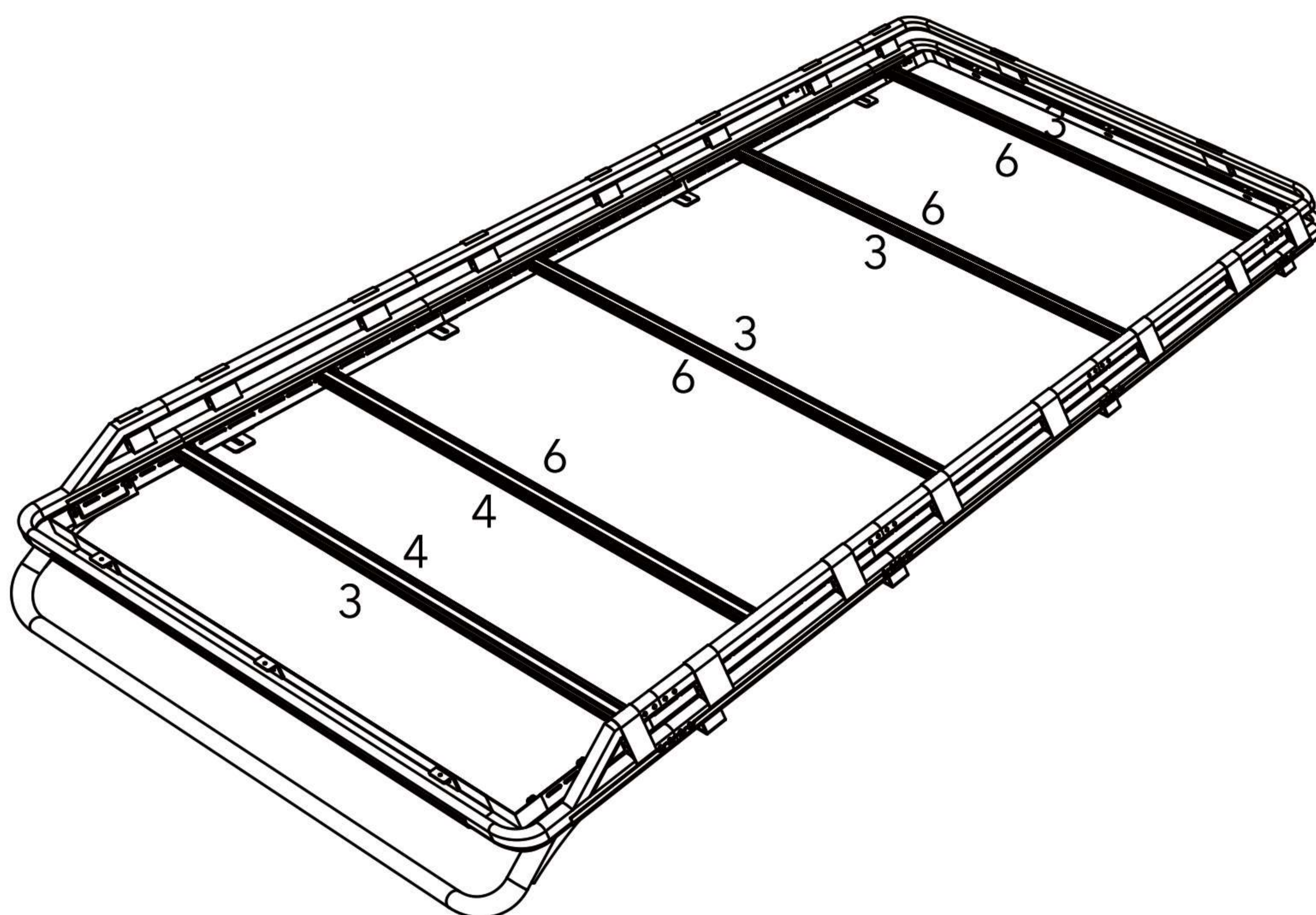
Note: Do not fully tighten the screws yet, as adjustments may be needed later.

Fasteners used: 5/16-18 hex socket screws + flat washers + split washers 8 sets

## 5 Step 5: Install the Crossbars

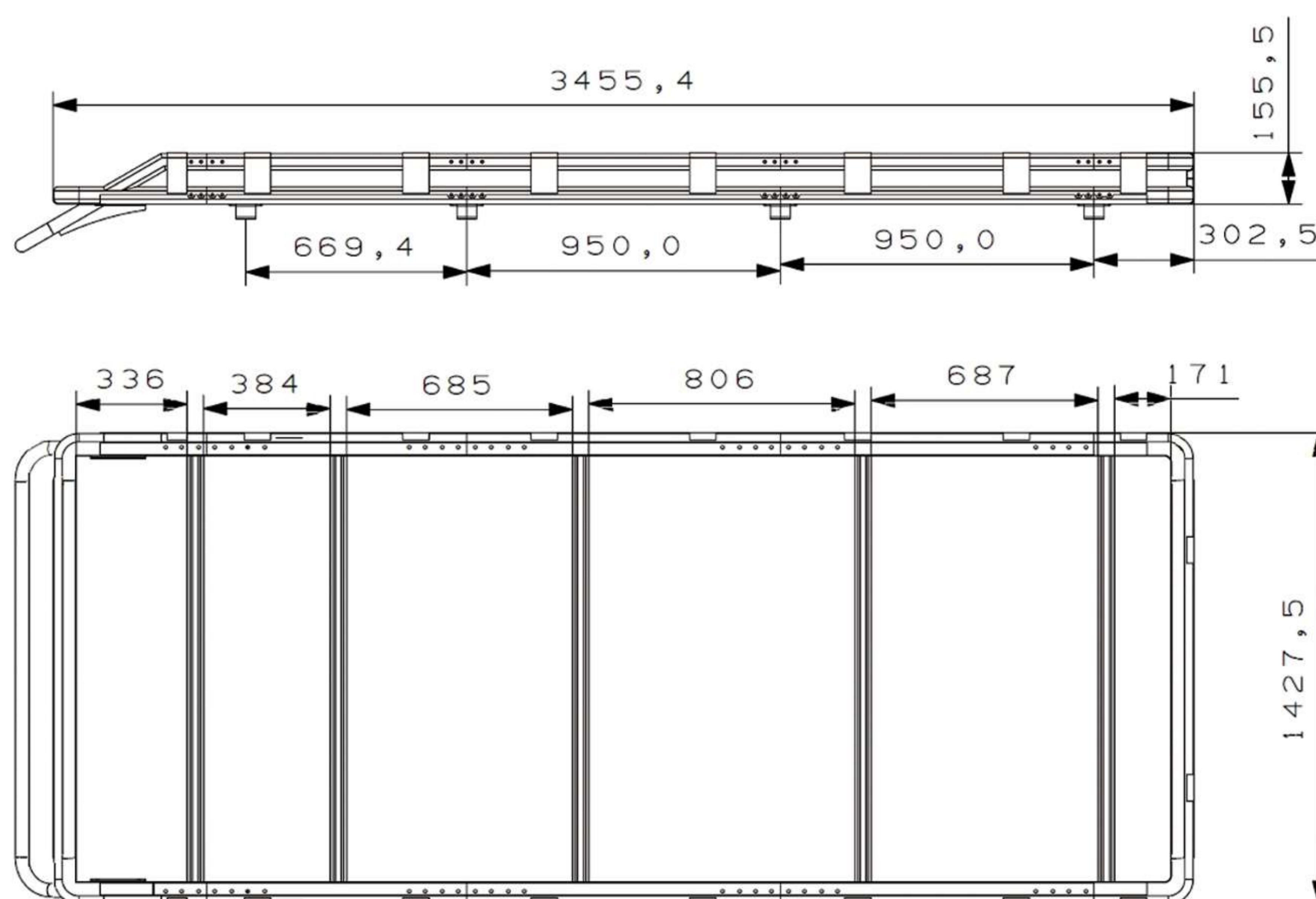
1. Before securing the crossbars (A7-3) to the fence panels, insert the T-nuts into the crossbars according to the quantity shown in the diagram.

Fasteners used: 1/4-20 T-nuts 44 pieces



2. Secure the crossbars to the fence panels according to the spacing indicated in the diagram below (unit: mm). (Alternatively, you can determine the crossbar positions by holding them up against the corresponding numbered deck panels. See Installation Step 8 for the numbering of the decking panels for each section.)

Fasteners used: 1/4-20 hex head screws + flat washers + split washers 12 sets

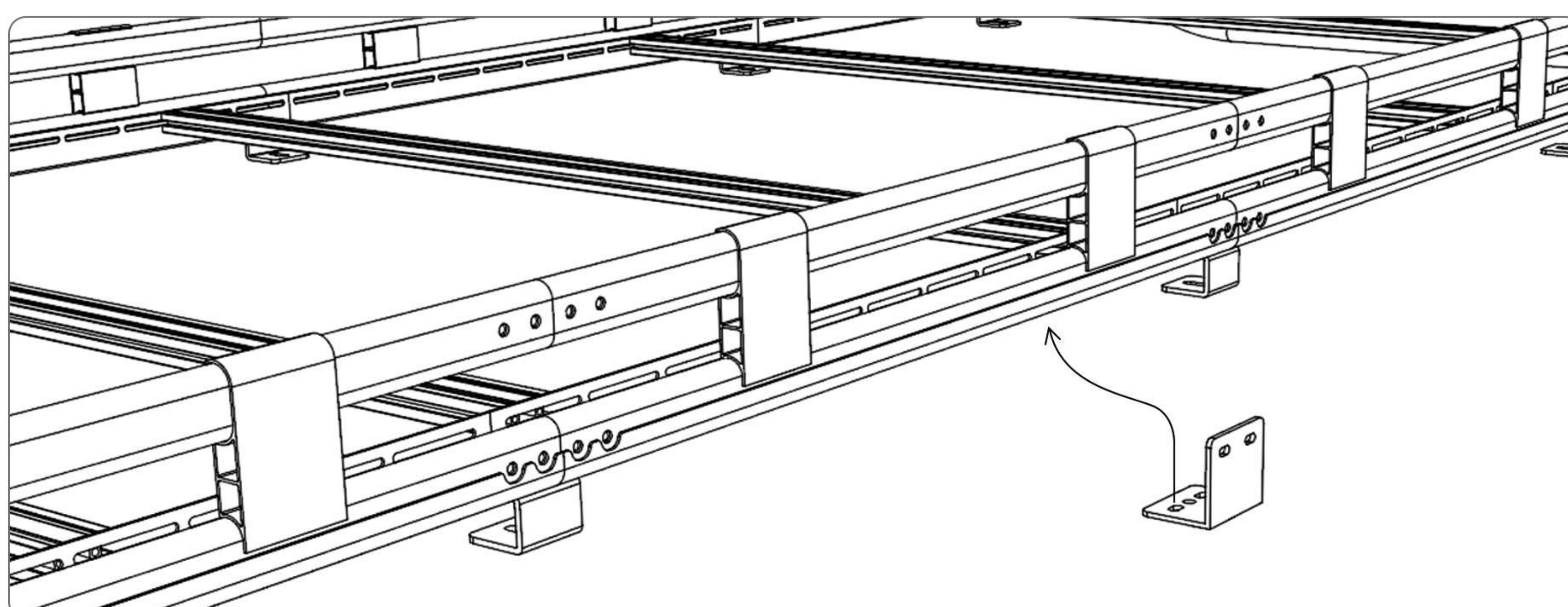


## 6 Step 6: Inspect the Assembly and Tighten All Screws

## 7 Step 7: Install the Awning Connectors (Optional)

1.If you have a third-party awning, you can attach the A7-8 connectors to the bottom of the fence panel based on the awning's length. Afterward, you can connect the roof rack and the awning using the remaining two pre-drilled holes on the A7-8 connectors.

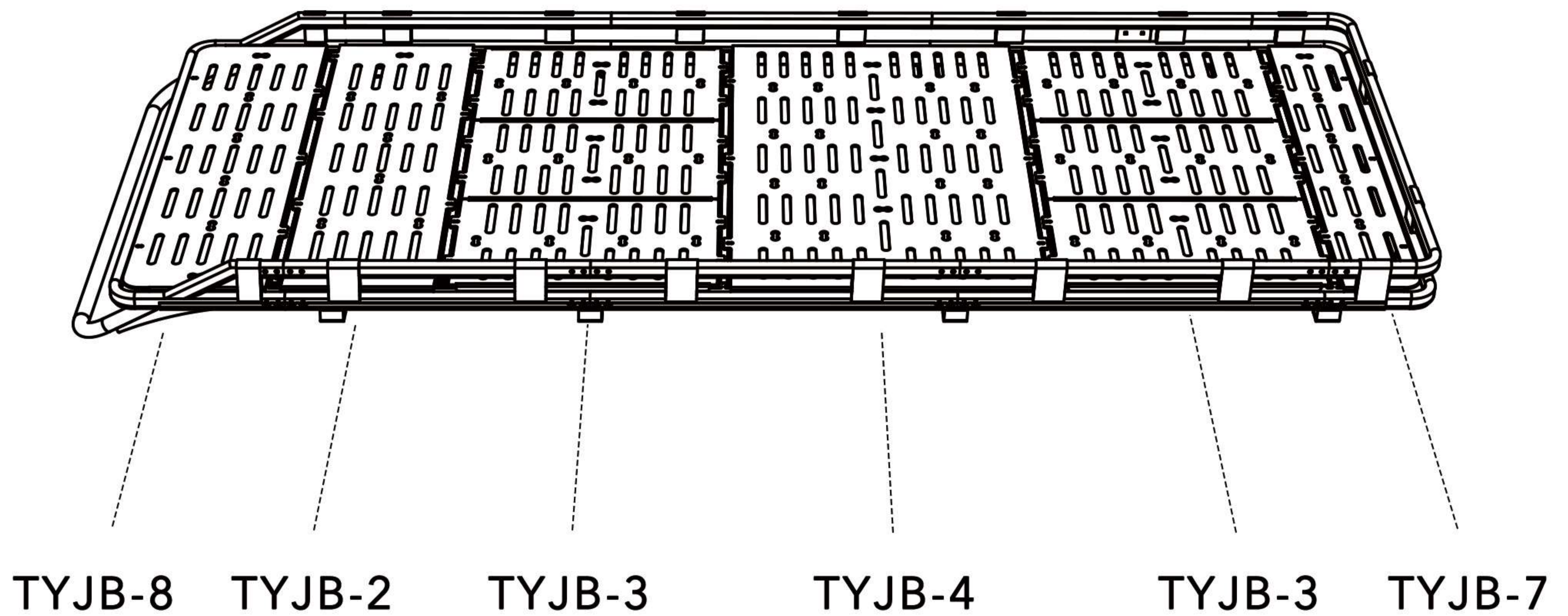
Fasteners used: 3/8-16 hex socket screws + flat washers + lock nuts 6 sets



## 8 Step 8: Install the Decking Panels

1. Attach the decking panels with the corresponding numbers to the crossbars as shown in the diagram.

Fasteners used: 1/4-20 hex head screws + flat washers + split washers 56 sets



**END**